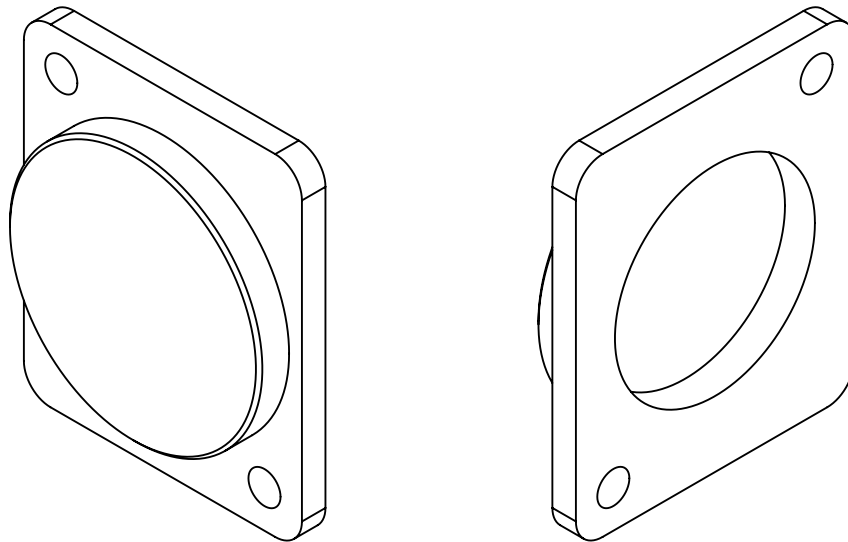
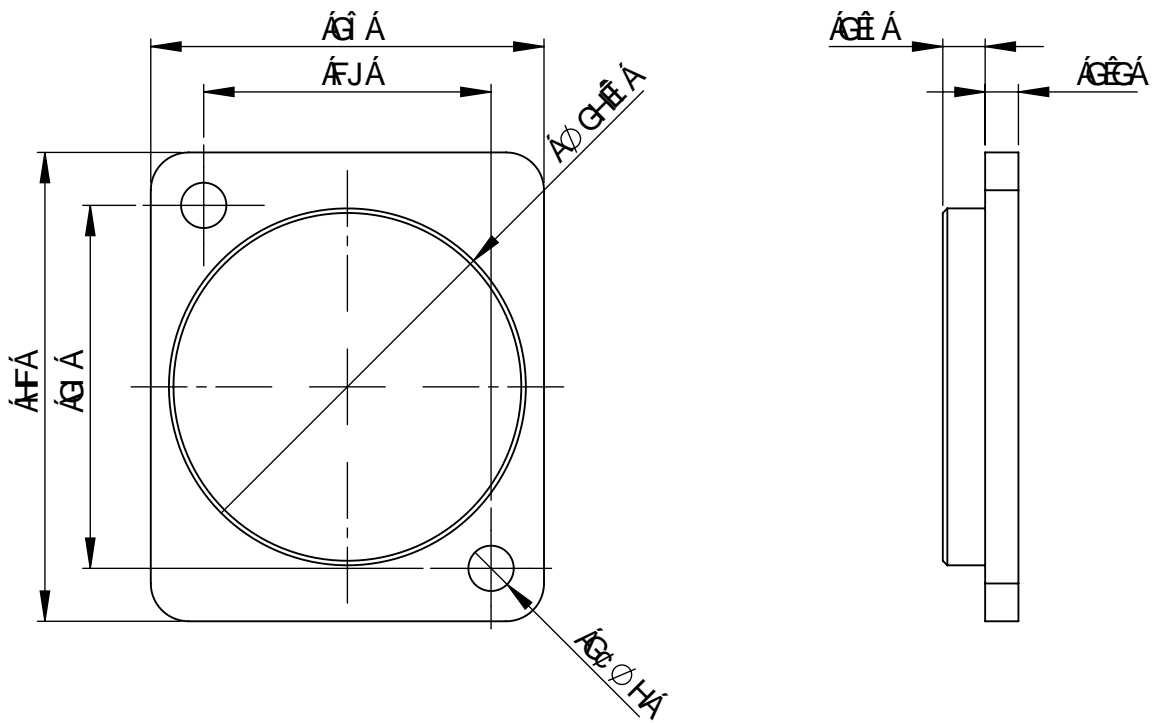


H97 < B-67 < 9 N9-7 < BI B;
 H97 < B-75 @ 8F 5K B; CB9GG-B H97 < B-EI 9 CB-6I > C H97 < B-7C



+, ' -



5XUa < U" 0VYfb]a h_Y]bY; Yk AVfcXYF < Uzi b[zFX]YF]Mh[_Y]z; YbUi] _Y]ni bX'J c"grAbX[[_Y]nX]gYfNY]Mbi b["
 5XUa < U" UWWdhp bc fYgdcbgV]]mcf]UV]]mzf h_Y VefYVibYggzUWWfUWnUbX Vta dYfYbYgg cZA]g] i gfu]hcb"
 5XUa < U" b Uggi a Y Ui WbY [UfUb]Y b] fYgdcbgUV]]A ei Uoh%4 U Vebzfa]rAz U dfAV]g]cb Yh' Yi \Ui g]j]A XY W gwAA U"
 5XUa < U" bc cZYW' [UfUbiU U [i bU fYgdYVte U" U Yi UMMh XzdFYV]g] b c]bY [f]XUX XY YgtU] i gfuV] b"

5XUa < U" ; a V< CBUJa Yfgf" - CE%&* + BYi !5bgdUW; Yfa Ubm
 HY" fZ (-E*\$, %#- (% \$ CE UI . fZ (-E*\$, %#- (% %\$\$\$ CB!a U] . a U]4 UXUa \U" Vta