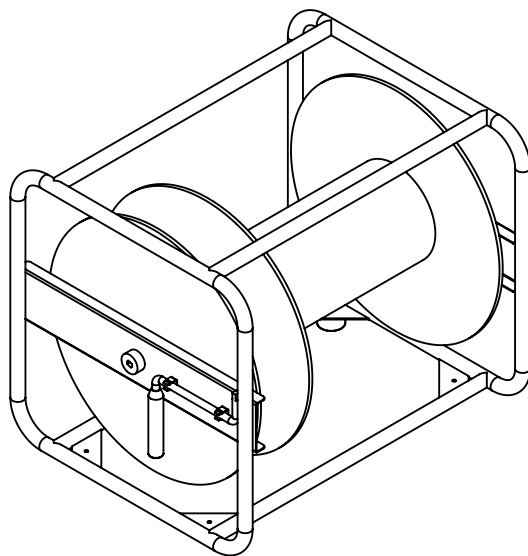
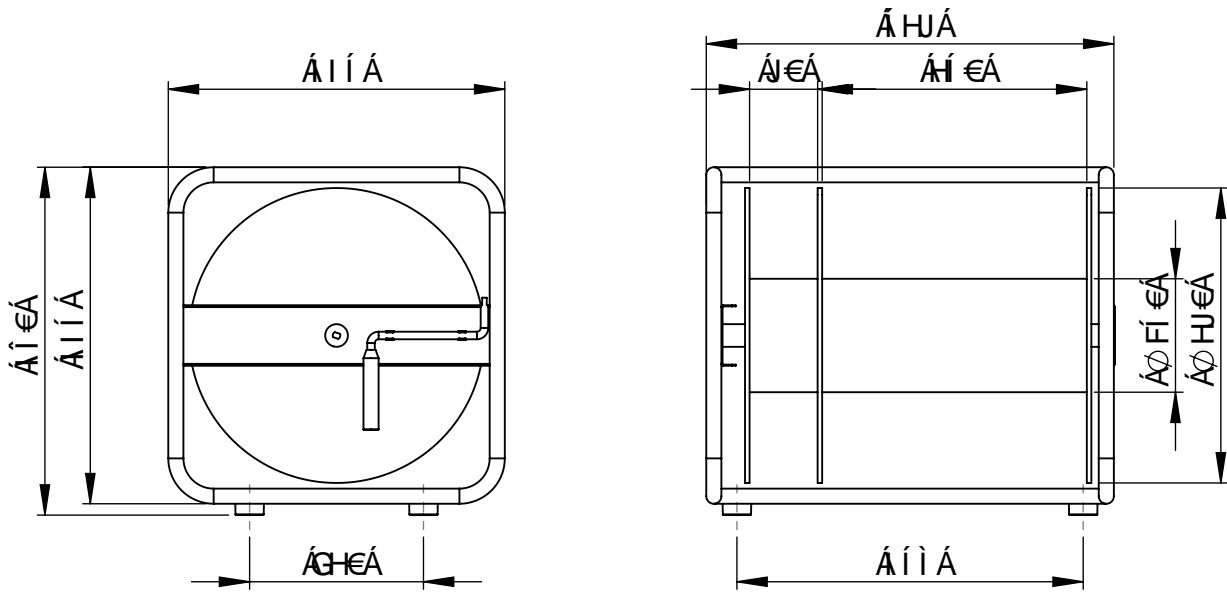


H97 < B € 7 < 9 N9 7 < BI B;  
 H97 < B 7 5 @ 8 F 5 K B; CB 9 GG B H97 < B € I 9 CB € I > C H97 < B 7 C



+\$&) \$



5XUa < U" 0VYfbja a h\_Y]bY; Yk \VfcXYF < Uzi b[ zFXY]Y F ]Mh[ \_Y]z; YbUi ] ]\_Y]ni bX'J c"grAbX[ ]\_Y]nX]YgYfNY]Mbi b["  
 5XUa < U" UWWdhp bc fYgdcbgV] ]mcf ]UV] ]mzf h\_Y VefYVibYggzUWWfUWnUbX Vta dYfYbYgg cZfA ]g ] i gffU]cb"  
 5XUa < U" b Uggi a Y'U' WbY [ UfUb]Y b] fYgdcbgUV] ]A ei Uoh%U Vebzfa ]rAz U dfAV]g]cb Yh' YI \U] g] ]A XY' W' gW' Aa U"  
 5XUa < U" bc cZfYV' [ UfUb]U U' i bU fYgdYVtc U' U' YI UVM]i XzdfYV]g] b c ]bY [ f]XUX XY YgtU ] i gffU] b"

5XUa < U" ; a V < CBUja Yfgf" - CE %&\* + BYi !5bgdUW; Yfa Ubm  
 HY" fZ (- E\* \$, % # - ( % \$ CE UI . fZ (- E\* \$, % # - ( % %\$\$\$ CB! a U] . a U] 4 UXUa \U" Vta