

12N630

Neodymium Ultra Low Distortion Woofer

Neodymium series

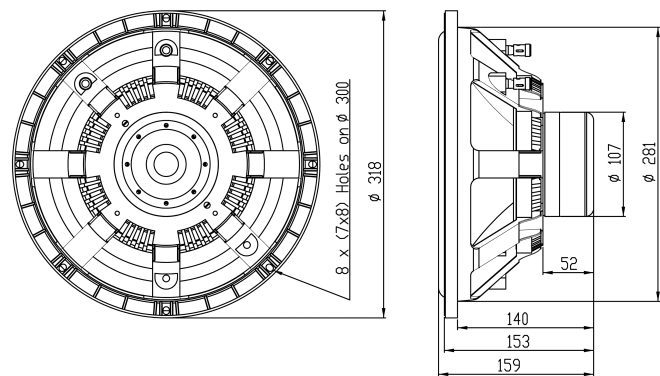


Features:

- 96dB sensitivity 1W/1m
- 600W Power handling
- Extremely light weight of 4.1kg
- 3" copper sandwich voice coil for low power compression
- Double treated cone for water protection
- Neodymium magnet system
- Triple aluminium demodulating rings for ultra low distortion
- Optimal for compact subwoofers

SPECIFICATIONS

APPLICATION	Subwoofer	
Nominal impedance	Ohm	8
Power handling AES noise	W	600
Sensitivity (1W/1m)	dB	96
Frequency response	Hz	25 - 300
Voive coil diameter	mm	77 (3")
Voice coil material		Cu
Voice coil winding depth	mm	26
Magnet gap depth	mm	10
Basket		Cast Aluminium
Effect. diaphragm diameter D	mm	252



Frequency response measured 100W (28.3V) at 1m in a closed enclosure of 50 litre in an anechoic chamber incl. 2nd and 3rd harmonic distortion raised 20dB.

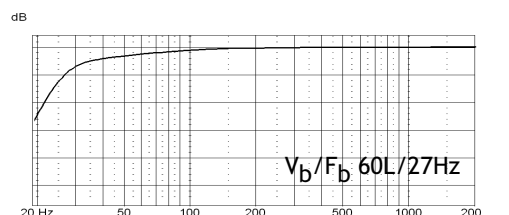
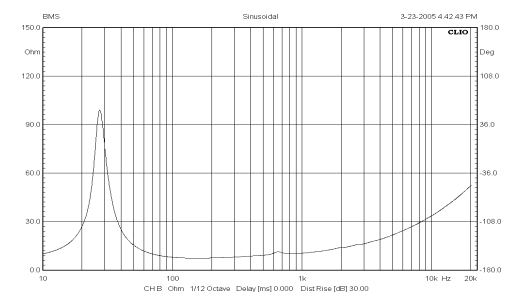
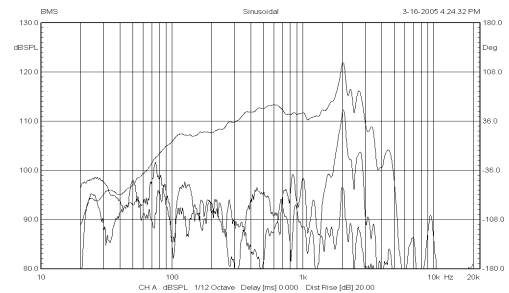
THIELE - SMALL PARAMETERS			
Resonance frequency	Fs	Hz	28.6
DC resistance	Re	Ohm	6.00
Mechanical Q factor	Qms		6.24
Electrical Q factor	Qes		0.37
Total Quality factor	Qts		0.35
Equivalent volume	Vas	L	81.37
Moving mass	Mms	kg	0.133
Mechanical compl.	Cms	mm/N	0.234
BL factor	BL	Tesla/m	19.75
Effective piston area	Sd	m ²	0.0498
Max. linear excursion	Xmax	mm	± 8
Voice coil inductance	Le1k	mH	1.34
	Le10k	mH	0.54

MOUNTING INFORMATION		
Overall diameter	mm	318
Mounting holes diameter	mm	8 x (7 x 8)
Bolt circle diameter	mm	300
Baffle cut-out diameter	mm	283
Overall depth	mm	159
Net weight	kg	4.1

Recommended reflex enclosure:

44L/31Hz, -3dB=35Hz, BRD=120mm/434mm long

60L/27Hz, -3dB=32Hz, BRD=110mm/517mm long



Neodymium Cone Drivers