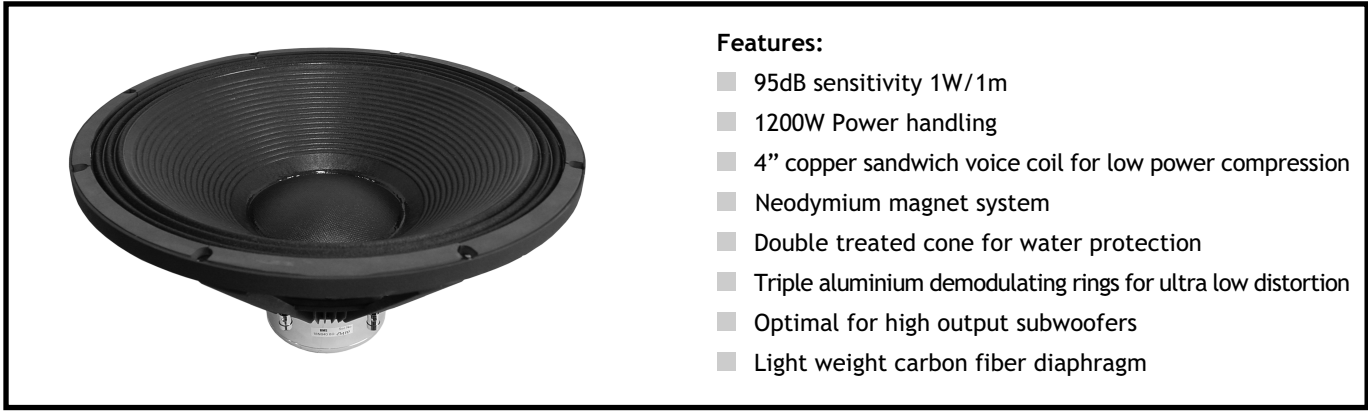


# 18N840v2

Neodymium Ultra Low Distortion Woofer

# Ultra low distortion series



### Features:

- 95dB sensitivity 1W/1m
- 1200W Power handling
- 4" copper sandwich voice coil for low power compression
- Neodymium magnet system
- Double treated cone for water protection
- Triple aluminium demodulating rings for ultra low distortion
- Optimal for high output subwoofers
- Light weight carbon fiber diaphragm

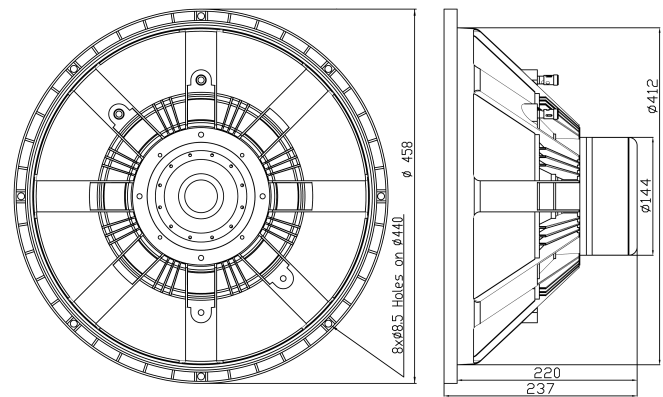
## SPECIFICATIONS

APPLICATION	infra-subwoofer	
Nominal impedance	Ohm	8
Power handling AES noise	W	1200
Sensitivity ( 1W/1m )	dB	95
Frequency response	Hz	20 - 200
Voive coil diameter	mm	101.6 (4")
Voice coil material		Cu
Voice coil winding depth	mm	32
Magnet gap depth	mm	12
Basket		Cast Aluminium
Effect. diaphragm diameter D	mm	393

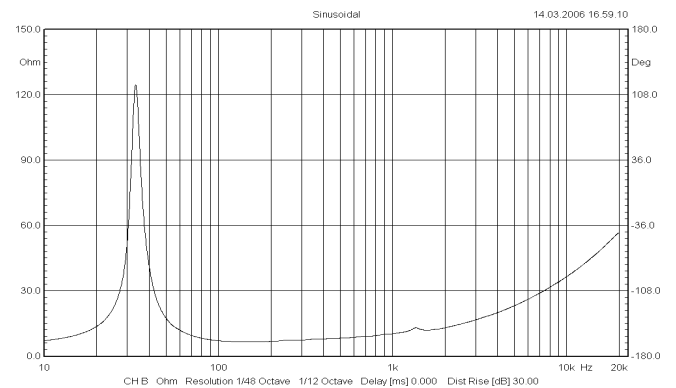
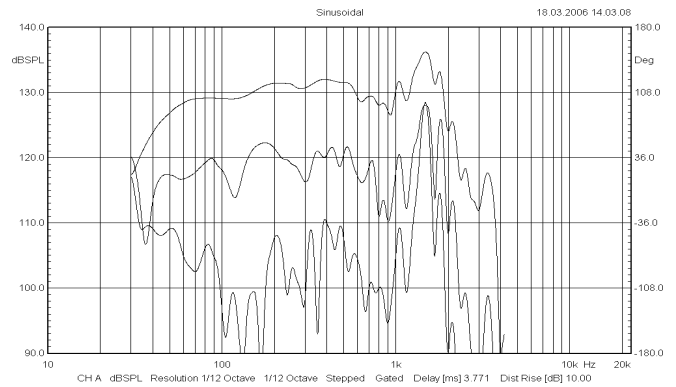
THIELE - SMALL PARAMETERS			
Resonance frequency	Fs	Hz	28.5
DC resistance	Re	Ohm	5.0
Mechanical Q factor	Qms		6.66
Electrical Q factor	Qes		0.33
Total Quality factor	Qts		0.32
Equivalent volume	Vas	L	288
Moving mass	Mms	kg	0.222
Mechanical compl.	Cms	mm/N	0.14
BL factor	BL	Tesla m	24.4
Effective piston area	Sd	m <sup>2</sup>	0.1213
Max. linear excursion	Xmax	mm	± 10
Voice coil inductance	Le1k	mH	0.87
	Le10k	mH	0.51

MOUNTING INFORMATION		
Overall diameter	mm	458
Mounting holes diameter	mm	8 x 8.5
Bolt circle diameter	mm	440
Baffle cut-out diameter	mm	414
Overall depth	mm	237
Net weight	kg	9.8

**Recommended reflex enclosure:**  
140L/35Hz, BRD=200mm/396mm long



Frequency response measured 1000W (89.4V) at 1m in a vented enclosure of 170 litre tuned 32Hz incl. 2nd and 3rd harmonic distortion raised 10dB.



Neodymium Cone Drivers