

STUDIO PAR DTW

12 X 10 W DYNAMIC WHITE STUDIO PAR
WITH DIM-TO-WARM CONTROL



FEATURES

- ✓ 12 x 10 watt Tri-LEDs 3-in-1 Cool White, Warm White and Amber
- ✓ Full white temperature control from Tungsten to CW (1,600 - 6,800 K)
- ✓ CRI 97 @ 2,800 K for natural colour rendering
- ✓ Dim-to-Warm (DTW) technology to emulate halogen-style dimming
- ✓ 4 Selectable 16-bit dimming curves
- ✓ Unique Sound-to-Light and stand-alone functions for retro lights looks
- ✓ RDM enabled
- ✓ 7 DMX modes plus sound activation
- ✓ Flicker free for use in TV and film applications

DESCRIPTION

Featuring twelve 10 watt 3-in-1 cool white, warm white and amber Tri-LEDs, the Cameo STUDIO PAR DTW permits full white temperature control from warm Tungsten white to ultra bright cool white. The professional PAR light features an 18° beam angle and Dim-to-Warm technology to emulate the smooth dimming of halogen lamps.

A temperature controlled fan and the 3,000 Hz refresh rate ensure cool and flicker-free operation.

The STUDIO PAR DTW is RDM enabled and provides 7 modes of DMX control plus sound activation. It includes a selection of 16-bit dimming curves with adjustable response, a high-speed strobe and macro functions. A 4-button display enables easy configuration. The rugged metal housing features 3-pin DMX and Neutrik powerCON inputs and outputs that enable convenient daisy chaining. The PAR light comes with a universal mounting bracket and Neutrik power cord.



Features and specifications
subject to change without notice.

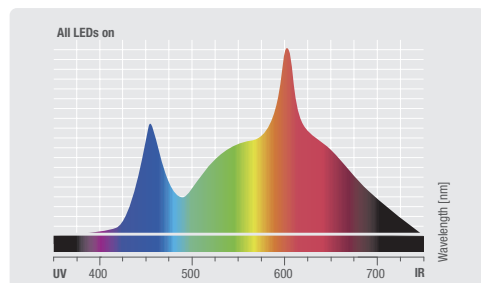
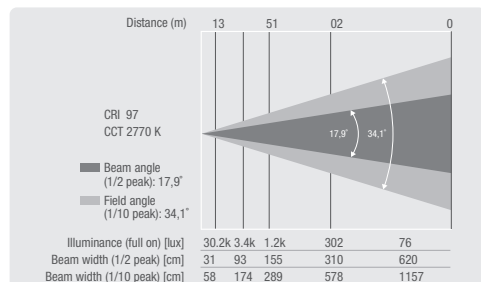
adamhall.com

STUDIO PAR DTW

12 X 10 W DYNAMIC WHITE STUDIO PAR
WITH DIM-TO-WARM CONTROL



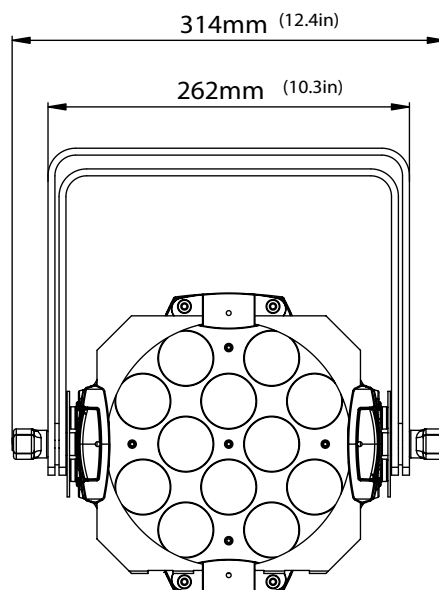
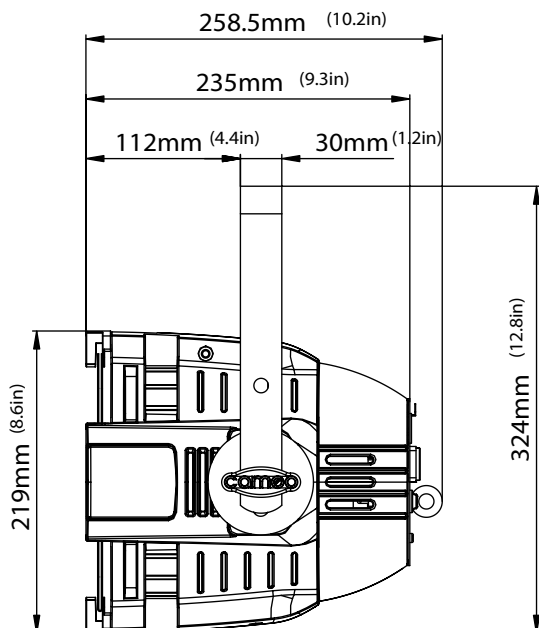
PHOTOMETRICAL DATA



Luminous flux	Chromaticity coordinates	
All LEDs on	3678 lm	xy 0.404 0.366
Cold white	1605 lm	xy 0.308 0.324
Warm white	1765 lm	xy 0.456 0.413
Amber	735 lm	xy 0.596 0.398

SPECIFICATIONS

Product type	LED PAR Lighting
Type	Indoor, Studio PAR 64
Color spectrum	Warm white, amber, cold white
Number of LEDs	12
LED type	10 W (ca. 50000 operating hours)
Refresh rate	3000 Hz
Dispersion	18° Beam, 34° Beam Field (without Diffusor) °
Lens	PE
DMX input	XLR 3-pin male
DMX output	XLR 3-pin female
DMX mode	2-channel, 13-channel, 1-channel, 3-channel, 9-channel
DMX Functions	Color Macro, Device Settings, Dimmer, Sound to Light, Color Temperature, Strobe (incl. Random)
Standalone modes	Master / slave mode, Static
Controls	Enter, Value Down, Value Up, mode
Indicators	LC display
Operating voltage	100 V AC - 240 V AC, 50 - 60 Hz
Power consumption	130 W
Power connector	Neutrik powerCON IN / OUT
Housing material	Metal
Cabinet color	Black
Protection class IP	20
Cooling	Temperature-controlled fan
Luminous flux	3680 lm
Efficiency	28 lm/W
Color temperature	1600 - 6800 K
Operating Temperature	-15 - 45 °C
Dimensions including Mounting Bracket	
Width	220 mm
Height	230 mm
Length	255 mm
Weight	4.9 kg
Accessories (included)	Neutrik Power Cable



Features and specifications
subject to change without notice.

adamhall.com