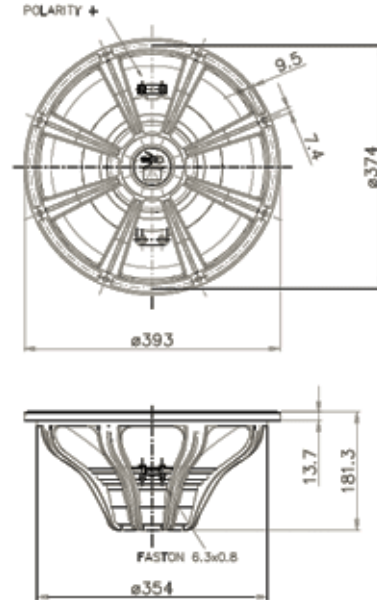




15HP1020 High Performance Series



NOMINAL SPECIFICATIONS

Nominal Diameter	380 mm (15 in)
Overall Diameter	393 mm (15.47 in)
Bolt Circle Diameter	374 mm (14.72 in)
Baffle Cutout Diameter	354 mm (13.94 in)
Depth	181.3 mm (7.14 in)
Flange and Gasket Thickness	13.7 mm (0.54 in)
Net Weight	5.9 Kg (13 lb)
Shipping Box (Single Carton Box)	426x429x225 mm (16.8x16.9x8.9 in)
Shipping Weight	6.5 Kg (14.3 lb)

ELECTRICAL SPECIFICATION

Minimum Impedance	6.9 Ohm
Nominal Impedance	8 Ohm
Nominal Power Handling *	700 W
Maximum Power Handling **	1400 W
Sensitivity (1W/1m)	99 dB
Frequency Range	40÷3150 Hz
Voice Coil Diameter	100 mm (4 in)
Winding Material	Al
Former Material	Glass Fiber
Winding Depth	23 mm (0.9 in)
Magnetic Gap Depth	12 mm (0.47 in)
Flux Density	1.3 T

THIELE & SMALL PARAMETERS

Fs	40 Hz
Re	5.5 Ohm
Bl	24.2 N/A
Mms	118 g
Cms	0.13 mm/N
Rms	2.69 Kg/s
Qes	0.28
Qms	10.20
Qts	0.27
Vas	109 dm ³ (3.85 ft ³)
Sd	756.2 cm ² (117.2 in ²)
Xmax ***	9.5 mm
Xdamage ****	16 mm
Le	1.2 mH
Mmd	106.2 g
Eta Zero	2.43 %

ORDERING CODES

Push Terminals - 8 Ohm Version	03803941
Faston Terminals - 8 Ohm Version	03803951

NOTES

PATENTED IT2006/000327

(*) 2 Hours Test According to AES 2-1984 Rev. 2003

(**) Maximum power is defined as 3dB greater than nominal power.

(***) Xmax = [(winding depth - magnetic gap depth) / 2] + (magnetic gap depth / 3)

(****) Maximum excursion before permanent damage

CURVES

