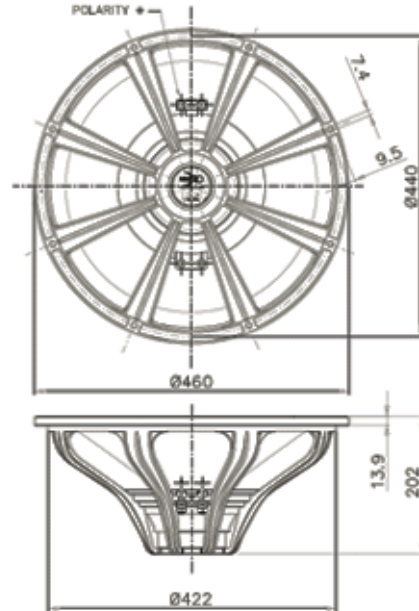




18FH500 Five Hundred Series



NOMINAL SPECIFICATIONS

Nominal Diameter	460 mm (18 in)
Overall Diameter	460 mm (18.11 in)
Bolt Circle Diameter	440 mm (17.32 in)
Baffle Cutout Diameter	424 mm (16.7 in)
Depth	202 mm (7.95 in)
Flange and Gasket Thickness	13.9 mm (0.55 in)
Net Weight	4.7 Kg (10.4 lb)
Shipping Box (Single Carton Box)	536x536x293 mm (21.1x21.1x11.5 in)
Shipping Weight	6 Kg (13.2 lb)

ELECTRICAL SPECIFICATION

Minimum Impedance	6 Ohm
Nominal Impedance	8 Ohm
Nominal Power Handling *	600 W
Maximum Power Handling **	1200 W
Sensitivity (1W/1m)	99 dB
Frequency Range	30÷3150 Hz
Voice Coil Diameter	77 mm (3 in)
Winding Material	Cu
Former Material	Glass Fiber
Winding Depth	22 mm (0.87 in)
Magnetic Gap Depth	10.5 mm (0.41 in)
Flux Density	1.2 T

THIELE & SMALL PARAMETERS

Fs	30 Hz
Re	5.1 Ohm
Bl	19.5 N/A
Mms	134.3 g
Cms	0.21 mm/N
Rms	2.91 Kg/s
Qes	0.34
Qms	8.68
Qts	0.33
Vas	404.2 dm ³ (14.27 ft ³)
Sd	1166 cm ² (180.7 in ²)
Xmax ***	9.25 mm
Xdamage ****	17.5 mm
Le	1.35 mH
Mmd	112.6 g
Eta Zero	3.1 %

ORDERING CODES

Push Terminals - 8 Ohm Version	04603900
Faston Terminals - 8 Ohm Version	04603935

NOTES

PATENTED IT2006/000327

(*) 2 Hours Test According to AES 2-1984 Rev. 2003

(**) Maximum power is defined as 3dB greater than nominal power.

(***) Xmax = [(winding depth - magnetic gap depth) / 2] + (magnetic gap depth / 3)

(****) Maximum excursion before permanent damage

CURVES

