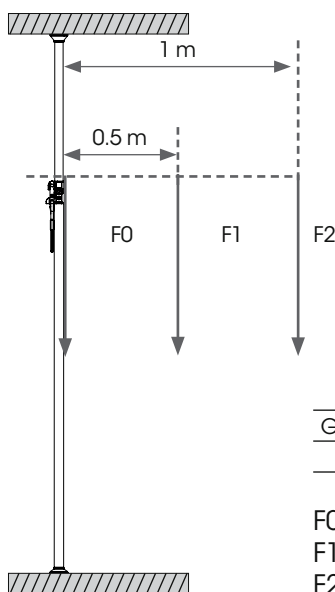


DATA SHEET

► LS VARI-POLE® 01 B

Made of lightweight, black anodized aluminium tubing with a secure locking mechanism, the Gravity Vari-Pole® extends from 210 cm to 370 cm and quickly mounts between floors and ceilings. It is held in place by pressure, and strong rubber on both sides for a variety of other applications.

- Telescoping pole with 210 cm to 370 cm length
- Lightweight anodized aluminium construction
- Rubber ends for extra grip and surface protection
- Safety lock mechanism for secure adjustment
- Versatile applications and configurations



Load (kg)

GLSVARIPOLE01B	F0	F1	F2
	30	30	15

F0: Maximum axial load
 F1: Maximum load with 0.5 m arm
 F2: Maximum load with 1 m arm

