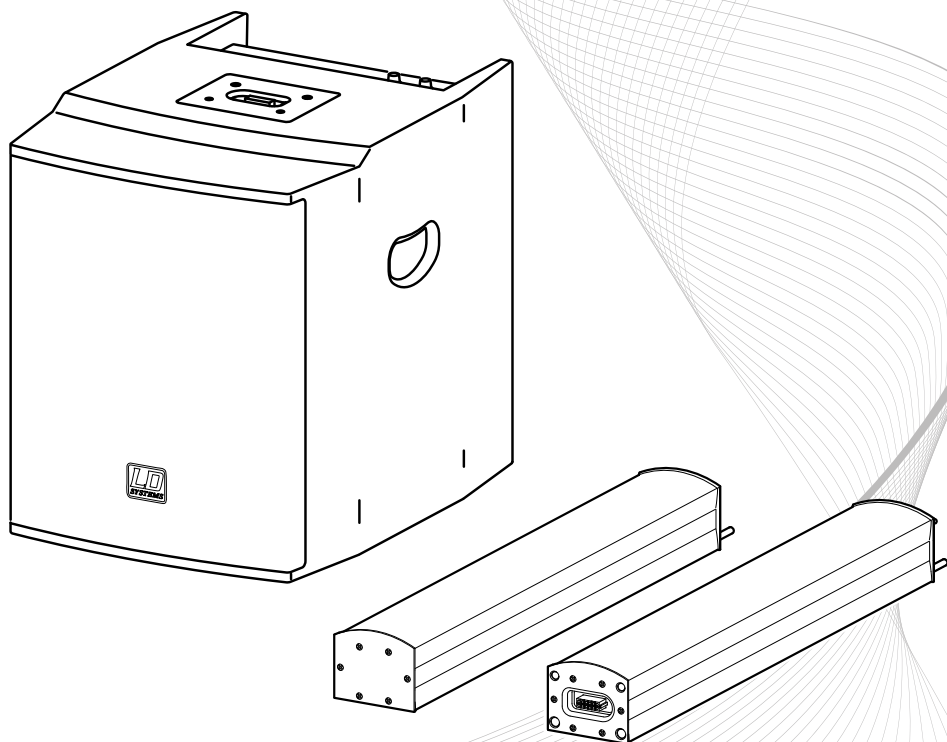


USER'S MANUAL
BEDIENUNGSANLEITUNG
MANUEL D'UTILISATION
MANUAL DE USUARIO
INSTRUKCJA OBSŁUGI
MANUALE D' USO



LD MAUI28

ALL-IN-ONE **ARRAY SYSTEM**



ENGLISH

DEUTSCH

FRANCAIS

ESPAÑOL

POLSKI

ITALIANO

Thank you for choosing LD-Systems!

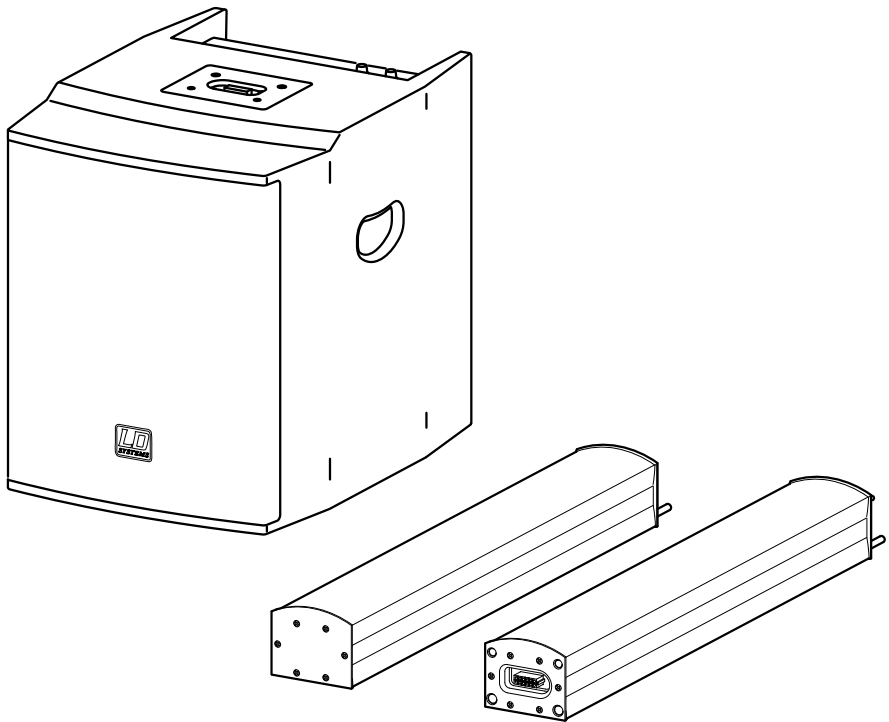
We have designed this product to give you reliable operation over many years. Therefore LD-Systems underwrites high quality products with its name and many years of experience as a producer.

Please, take a few moments to read these instructions carefully, as we want you to enjoy your new LD-Systems products quickly and to the fullest.

Further information about LD-Systems check our website WWW.LD-SYSTEMS.COM

LD MAUI 28

ALL-IN-ONE **ARRAY SYSTEM**



ENGLISH

DEUTSCH

FRANCAIS

ESPAÑOL

POLSKI

ITALIANO

PREVENTIVE MEASURES:

1. Please read the attached safety instructions as well as the following instructions carefully.
2. Please keep all the instructions.
3. Please use the device only as intended.
4. Please respect the valid waste management rules. Please deliver the packaging divided into plastic and paper/ cardboard to the recycling management.
5. Please refer all servicing to qualified personnel only if the device is damaged, exposed to liquid/rain or if it does not operate normally.
6. Please, do not expose to any kind of heat such as ovens, radiators, or any other devices (incl. amplifiers). Please check for enough distance between amplifiers and walls, racks, etc. to prevent overheating.
7. After connection please check the wiring to prevent any kind of accident or damage. Please never use any kind of damaged cable and wiring.
8. Only use authorized and stable stands, brackets, shelves, tables etc.. for installations. Please check for adequate stability against collapse.
9. Appearance of interferences when using wireless systems.
The simultaneous use of wireless microphones and of mobile phones (if both devices are not very distant from each other) can lead to the appearance of interferences in the microphone signal which can be heard in the PA system.



CAUTION:

To reduce the risk of electric shock, do not remove cover (or back). No user serviceable parts inside. Refer servicing to qualified personnel.



The lightning flash with arrowhead symbol within an equilateral triangle is intended to alert the user to the presence of uninsulated “dangerous voltage” within the product’s enclosure that may be of sufficient magnitude to constitute a risk to persons.



The exclamation mark within an equilateral triangle is intended to alert the user to the presence of important operating and maintenance (servicing) instructions in the literature accompanying the appliance.

CAUTION! HIGH VOLUME!

You will operate this transmission system for professional use. Therefore the commercial use of this equipment is liable to the rules and regulations of the Accident Prevention & Insurance Association of your industry sector. Adam Hall as a manufacturer is bound to inform you formally about the existence of eventual sanitary risks.

This system is able to induce an acoustic pressure of 80 db. 85 db is by law the maximum audio pressure level which your ear can be exposed to during a work day. It was set according to the technical expertise of the occupational medicine as a basis for the noise rating level. Higher sound levels or longer exposition times could damage your ear. The time of exposition by higher sound pressure levels should be shortened in order to prevent from ear damages. Here are a few reliable warning signals which show that you have exposed yourself for a too long period to excessive sound pressure levels:

- You hear bell- or whistling sounds!
- You have the impression that you can't hear high tones anymore!

FEATURES & GETTING STARTED:

INTRODUCTION

The LD MAUI 28 (Multiple Array User Intuitive) is the perfect solution for musicians and DJs as well as presentations and events with sophisticated music playback.

Because no cables and stands are required, this “plug-and-play” system can be set up and taken down again very easily and quickly. Frequency-response-based 4.1 five-way amping results in a clear, dynamic and balanced sound throughout the frequency range of this system. The array configuration ensures greater coverage with very well-balanced sound distribution even in the farthest corners of the venue.

The MAUI 28, which combines PA and monitoring system in one, guarantees the same sound experience for both audience and musician. No disturbing speaker cables, no speaker stands, no transport issues, simply plug in the mixer and you're ready to go.

ENGLISH

DEUTSCH

FRANCAIS

ESPAÑOL

POLSKI

ITALIANO

SETUP, CONNECTION AND STARTUP:

TRANSPORT AND SETUP

The LD MAUI 28 active system is very compact and easy to transport. The subwoofer must be placed on the rubber feet before use. Please NEVER use the system while it is on a transport trolley! There is a danger of uncontrolled movement of the entire system. This can lead to accidents and damage. The amplifier cooling elements are in the back of the subwoofer. When the amplifier is in use, please maintain a minimum distance of 50 cm between these cooling elements and other objects, walls, etc., to permit sufficient heat exchange. Please make certain that the system and all connected source devices, mixers, CD players, etc. are properly connected to one another and to the power mains. Use only undamaged cables with a sufficient cross-section and only completely unrolled cable reels. Route the cables so as to avoid tripping hazards (gaffa tape). The unit should never be positioned directly at an edge. Please also do not position the subwoofer on a table. It is advisable to always turn the system on first and off last in order to avoid loud popping sounds when the connected devices are turned on and off.

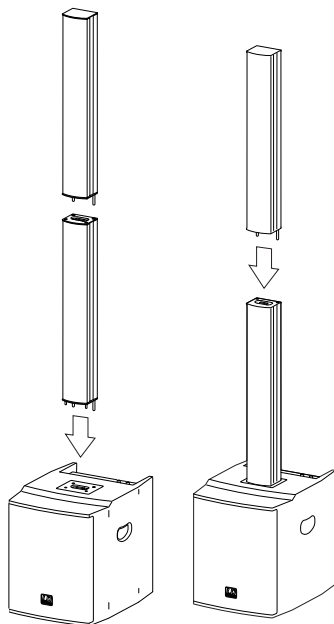
CONNECTION AND OPERATION It is possible to set both the overall system volume as well as the volume of the subwoofer in relation to the overall volume. The ultimate volume level is then adjusted via the source device. The connections permit both an unbalanced and an unbalanced connection (XLR / jack 6.3 mm) to a source device. The position of the connectors and control elements of the LD MAUI 28 are shown on the following page.

SETUP

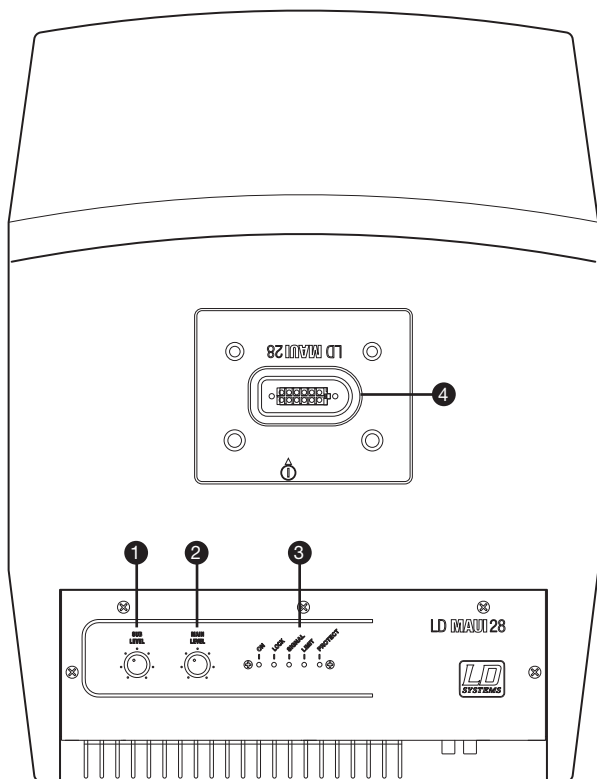
The LD Systems MAUI 28 all-in-one array system consists of the following three components:

1. Subwoofer with integrated electronics for all 3 parts of the system.
2. The lower vertical array column with 8 x 3" speakers and 2 multipin connectors, one each on the top and bottom.
3. The upper vertical array column with 8 x 3" speakers, the tweeter and a multipin connector on the bottom.

Once the subwoofer is positioned in the room that is to be filled with sound, the lower vertical array column is plugged onto the subwoofer. Four sturdy steel pins help ensure that the multipin connectors of both speakers mate perfectly. Now the upper vertical array column is simply plugged onto the lower column according to the same principle. Special control electronics use an LED to indicate that all parts of the system are properly connected after the MAUI 28 array system is turned on.



CONTROL ELEMENTS:



ENGLISH

DEUTSCH

FRANCAIS

ESPAÑOL

POLSKI

ITALIANO

1 SUB LEVEL

Presetting of the subwoofer volume in relation to the volume of the array columns. Basic setting 12 o'clock.

2 MAIN LEVEL

Presetting of the overall volume - the subwoofer is also controlled in accordance with the SUB LEVEL preset.

3 LEDS

ON: lights up when the unit is on.

LOCK: lights up when the system is plugged together correctly.

SIGNAL: lights up when a signal is present at the input.

LIMIT: lights up when the limiter is active.

PROTECT: lights up when the system is overloaded and automatically switches to mute.

4 MULTIPIN PLUG-IN CONNECTOR

This is where the lower part of the array column is plugged on.

CONTROL ELEMENTS:

ENGLISH

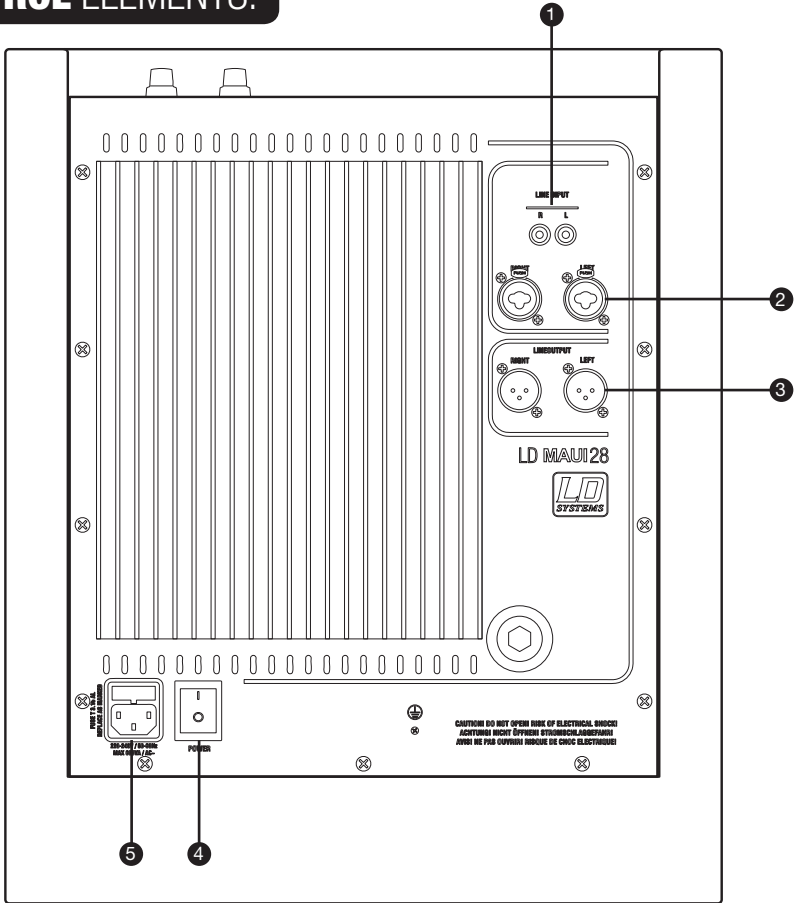
DEUTSCH

FRANCAIS

ESPAÑOL

POLSKI

ITALIANO



1 INPUT RCA (LEFT / RIGHT)

2 INPUT XLR / PHONE JACK COMBO (LEFT / RIGHT)

Balanced line input

3 OUTPUT XLR (LEFT / RIGHT)

Balanced line output

4 POWER SWITCH

On / off switch. Turn on connected devices such as mixers, etc., before turning on the active system and turn them off after turning off the active system.

5 POWER CONNECTION SEAT

240 V connector socket (IEC plug) and fuse holder. The power connector must be disconnected whenever the fuse is replaced. If the fuse burns out repeatedly, the unit must be inspected by a specialist.

OPTIONAL ACCESSORIES:



LDM28CB
Castor board for MAUI 28 system



LDM28SATBAG
Transport bag for MAUI 28 column speakers



LDM28SUBPC
Transport bag for MAUI 28 subwoofer

ENGLISH

DEUTSCH

FRANCAIS

ESPAÑOL

POLSKI

ITALIANO



SPECIFICATIONS:

Model Name:	LDMAUI28
Type: Subwoofer:	V - Construction Bass Reflex
Type: Vertical Array:	Sealed
Subwoofer:	2 x 8"
Vertical Array System (2pcs):	Fullrange: 16 x 3" /
HF:	1" Horn Tweeter
Amplification:	Class A / B
Dispersion:	Horizontal 120° in average
Power Output (W/RMS):	Subwoofer: 200
Array System (W/RMS):	200
Frequency Response (Hz):	45 - 20000
Sensitivity (1 W / 1 m) (dB):	98
Max SPL (dB):	115
Protection:	Dual Limiter
Controls:	Volume, Sub Level, ON/OFF Switch
Indicators:	On, Lock, Signal, Limit, Protect
Subwoofer Connectors:	Input: RCA / XLR / 6.3 mm jack (combo) / Direct line through: XLR
Satellite Connectors:	Custom Made Multi Pin Connector
Cabinet Material:	Subwoofer: 15 mm Plywood
Satellites:	Aluminium
Cabinet Surface:	Subwoofer: Dura-Coat LX / Satellites: HD Coating
Dimensions W x H x D (mm):	Subwoofer: 390 x 450 x 510/ Satellite: 110 x 790 x 90
Weight (kg):	Subwoofer: 29,0 / Satellite: 3,6
Features:	Assisted Vertical Array set up with LED control for correct connection, Easy connection with Multipin plug (no cables), Stable connection via four steel extensions

Since all our products are constantly controlled and improved, technical changes are possible without prior notice.

ENGLISH

DEUTSCH

FRANCAIS

ESPAÑOL

POLSKI

ITALIANO

MANUFACTURER'S DECLARATIONS:

LIMITED WARRANTY

This Limited Warranty applies to the Adam Hall, LD Systems, Defender, Palmer and Eminence branded products.

The statutory warranty rights towards the seller are not affected by this guarantee. In fact, it justifies, additional independent warranty claims towards Adam Hall.

Adam Hall warrants that the Adam Hall product you have purchased from Adam Hall or from an Adam Hall authorized reseller is free from defects in materials or workmanship under normal use for a period of 2 or 5 years from the date of purchase.

The Limited Warranty Period starts on the date of purchase. In order to receive warranty services you are required to provide proof of the purchase date. Your dated sales or delivery receipt, showing the date of purchase, is your proof of the purchase date. Should products of the brands named above be in need of repair within the limited warranty period, you are entitled to warranty services according to the terms and conditions stated in this document.

This Limited Warranty extends only to the original purchaser of this Adam Hall branded product and is not transferable to anyone who obtains ownership of the Adam Hall branded product from the original purchaser. During the Limited Warranty Period, Adam Hall will repair or replace the defective component parts or the product. All component parts or hardware products removed under this Limited Warranty become the property of Adam Hall.

In the unlikely event that your Adam Hall product has a recurring failure, Adam Hall, at its discretion, may elect to provide you with a replacement unit of Adam Hall's choice that is at least equivalent to your Adam Hall branded product in hardware performance.

Adam Hall does not warrant that the operation of this product will be uninterrupted or error-free. Adam Hall is not responsible for damage that occurs as a result of your failure to follow the instructions included with the Adam Hall branded product.

This Limited Warranty does not apply,

- to wear parts (e.g. accumulator)
- to any product from which the serial number has been removed or that has been damaged or rendered defective as the result of an accident
- in case of, misuse, abuse, or other external causes
- by operation outside the usage parameters stated in the user's documentation shipped with the product
- by use of spare parts not manufactured or sold by Adam Hall
- by modification or service by anyone other than Adam Hall

These terms and conditions constitute the complete and exclusive warranty agreement between you and Adam Hall regarding the Adam Hall branded product you have purchased.

ENGLISH

DEUTSCH

FRANCAIS

ESPAÑOL

POLSKI

ITALIANO



LIMITATION OF LIABILITY

If your Adam Hall branded hardware product fails to work as warranted above, your sole and exclusive remedy shall be repair or replacement. Adam Halls' maximum liability under this limited warranty is expressly limited to the lesser of the price you have paid for the product or the cost of repair or replacement of any hardware components that malfunction in conditions of normal use.

Adam Hall is not liable for any damages caused by the product or the failure of the product, including any lost profits or savings or special, incidental, or consequential damages. Adam Hall is not liable for any claim made by a third party or made by you for a third party.

This limitation of liability applies whether damages are sought, or claims are made, under this Limited Warranty or as a tort claim (including negligence and strict product liability), a contract claim, or any other claim. This limitation of liability cannot be waived or amended by any person. This limitation of liability will be effective even if you have advised Adam Hall of an authorized representative of Adam Hall of the possibility of any such damages. This limitation of liability however, will not apply to claims for personal injury.

This Limited Warranty gives you specific legal rights. You may also have other rights that may vary from state to state or from country to country. You are advised to consult applicable state or country laws for a full determination of your rights.

REQUESTING WARRANTY-SERVICE

To request warranty service for the product, contact Adam Hall or the Adam Hall authorized reseller from which you purchased the product.

EG-DECLARATION OF CONFIRMITY

These products meet the essential requirements as well as the further standards of the EU Directives 199/5/EU, 89/336/EU.

CORRECT DISPOSAL OF THIS PRODUCT (ELECTRICAL WASTE)

(Applicable in the European Union and other European countries with separate collection systems)



This marking shown on the product or its literature, indicates that it should not be disposed with other household wastes at the end of its working life. To prevent possible harm to the environment or human health from uncontrolled waste disposal, please separate this from other types of wastes and recycle it responsibly to promote the sustainable reuse of material resources.

Household users should contact either the retailer where they purchased this product, or their local government office, for details on where and how they can recycle this item in an environmentally friendly manner.

Business users should contact their supplier and check the terms and conditions of the purchase contract. This product should not be mixed with other commercial wastes for disposal

WEEE-DECLARATION

Your LD-Systems product was developed and manufactured with high quality materials and components which can be recycled and/or reused. This symbol indicates that electrical and electronic equipment must be disposed of separately from normal waste at the end of its operational lifetime.

Please dispose of this product by bringing it to your local collection point or recycling centre for such equipment. This will help to protect the environment in which we all live.

BATTERIES AND ACCUMULATORS

The supplied batteries or rechargeable batteries can be recycled. Please dispose of them as special waste or return them to your specialist dealer. In order to protect the environment, only dispose exhausted batteries.

ENGLISH

DEUTSCH

FRANCAIS

ESPAÑOL

POLSKI

ITALIANO

Adam Hall GmbH, all rights reserved. The technical data and the functional product characteristics can be subject to modifications. The photocopying, the translation, and all other forms of copying of fragments or of the integrality of this user's manual is prohibited.



ENGLISH

DEUTSCH

FRANCAIS

ESPAÑOL

POLSKI

ITALIANO

Sie haben die richtige Wahl getroffen!

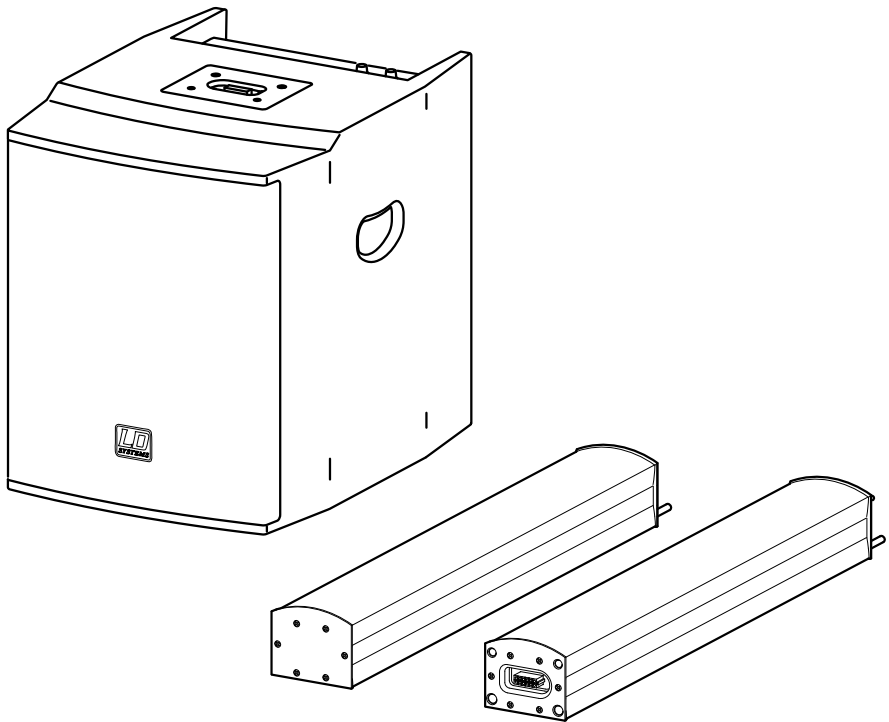
Diese LD-Systems Produkte werden Sie lange Jahre durch Zuverlässigkeit, Wirtschaftlichkeit und einfaches Handling überzeugen. Dafür garantiert LD-Systems mit seinem Namen und seiner in vielen Jahren erworbenen Kompetenz als Hersteller hochwertiger Geräte.

Nehmen Sie sich nun ein paar Minuten Zeit, diese Anleitung zu lesen. Wir möchten, dass Sie einfach und schnell in den Genuss dieser Technik kommen.

Mehr Informationen zu LD-SYSTEMS finden Sie auf unserer Internetseite WWW.LD-SYSTEMS.COM

LD MAUI28

KOMPAKTES **SÄULEN PA SYSTEM** AKTIV



ENGLISH

DEUTSCH

FRANCAIS

ESPAÑOL

POLSKI

ITALIANO

VORSICHTSMASSNAHMEN:

1. Bitte beachten Sie die Sicherheitshinweise und studieren Sie diese Anleitung sorgfältig.
2. Bewahren Sie alle Hinweise und Anleitungen sicher auf.
3. Verwenden Sie das Gerät nur in der vorgesehenen Art und Weise.
4. Beachten Sie die in Ihrem Land geltenden Entsorgungsgesetze. Trennen Sie bei der Entsorgung bitte Plastik und Papier bzw. Kartonagen von einander.
5. Sollte Ihr Gerät nicht mehr ordnungsgemäß funktionieren, Flüssigkeiten ausgesetzt worden oder auf sonstige Art und Weise beschädigt sein, überlassen Sie bitte jegliche Reparaturen ausschließlich autorisiertem Fachpersonal.
6. Halten Sie das Gerät von Hitzequellen wie z.B. Ofen, Heizkörper, oder sonstige Quellen (auch Verstärker) fern. Sorgen Sie dafür dass das Gerät immer so installiert ist, dass es ausreichend gekühlt wird und nicht überhitzt.
7. Überprüfen Sie alle Verbindungen nach dem Sie das Gerät angeschlossen haben, um Schäden oder Unfälle zu vermeiden.
8. Verwenden Sie ausschließlich stabile und passende Stative bzw. Befestigungen, wenn das Gerät fest installiert wird. Stellen Sie sicher, dass das Gerät sicher installiert ist und nicht herunterfallen kann.



ACHTUNG:

Entfernen Sie niemals die Abdeckung, da sonst die Gefahr eines elektrischen Schocks besteht. Im Inneren des Gerätes befinden sich keine Teile, die vom Bediener gewartet oder repariert werden können. Lassen Sie Reparaturen ausschließlich von qualifiziertem Servicepersonal durchführen.



Dieses Symbol warnt vor nichtisolierten, gefährlichen Spannungen im Geräteinneren, die einen gefährlichen Schlag verursachen können.



Dieses Symbol kennzeichnet wichtige Bedienungs- und Wartungshinweise.

Vorsicht! Hohe Lautstärke!

Diese Übertragungsanlage wird von Ihnen professionell eingesetzt. Daher unterliegt der Gebrauch bei gewerblicher Nutzung den Regeln und Vorschriften der zuständigen Berufsgenossenschaft. Adam Hall als Hersteller ist daher verpflichtet, Sie auf möglicherweise bestehende gesundheitliche Risiken ausdrücklich hinzuweisen.

Mit diesem System können Schalldrücke über 80 db erzeugt werden. 85db ist der Schalldruck, der laut Gesetz als maximal zulässiger Wert über die Dauer eines Arbeitstages auf Ihr Gehör einwirken darf. Er wird nach den Erkenntnissen der Arbeitsmedizin als Beurteilungspegel zu Grunde gelegt. Höhere Lautstärken oder längere Einwirkzeit können Ihr Gehör schädigen. Bei höheren Lautstärken muss die Hörzeit verkürzt werden, um eine Schädigung auszuschließen. Sichere Warnsignale dafür, dass Sie sich zu lange zu lauten Geräuschen ausgesetzt haben, sind:

- Sie hören Klingel- oder Pfeifgeräusche in den Ohren!
- Sie haben den Eindruck, hohe Töne nicht mehr wahrzunehmen!

FUNKTIONEN & ERSTE SCHRITTE:

EINFÜHRUNG

Das LD MAUI 28 (Multiple Array User Intuitive) ist die ideale Lösung, sowohl für jeden Musiker und DJ, als auch für Präsentationen und Veranstaltungen mit anspruchsvollen Musikeinspielungen.

Das Plug and Play System ermöglicht einen schnellstmöglichen und einfachen Aufbau. Das auf die Frequenzverteilung bezogene 4.1 System mit 5 Verstärkerwegen sorgt für ein dynamisches, klares und ausgewogenes Klangbild über den kompletten Frequenzbereich. Die Anordnung des Arrays sorgt für eine größere Abstrahlweite bei einer sehr gleichmäßigen Schallverteilung bis in jeden Winkel der Location.

Das MAUI 28 System, PA und Monitor in einem, garantiert das gleiche Klangerlebnis für Publikum und Musiker. Keine lästigen Lautsprecherkabel, keine Boxenstative, keine Transportprobleme; einfach den Mixer anschließen und los geht's.

ENGLISH

DEUTSCH

FRANCAIS

ESPAÑOL

POLSKI

ITALIANO

AUFSTELLUNG, ANSCHLUSS UND **INBETRIEBNAHME:**

TRANSPORT UND AUFSTELLUNG

Das Aktivsystem LD MAUI28 ist sehr kompakt und kann leicht transportiert werden. Zum Betrieb muss der Subwoofer auf die GummifüÙe gestellt werden. Bitte nehmen Sie das System NIE auf auf einem Transportwagen stehend in Betrieb! Es besteht die Gefahr einer unkontrollierten Bewegung des ganzen GeräÙes. Dieses kann zu Unfällen und Beschädigungen führen. Der Kühlkörper des Verstärkers befindet sich hinten am Subwoofer. Bitte achten Sie darauf, dass dieser Kühlkörper beim Betrieb des Verstärkers einen Mindestabstand von 50 cm zu anderen Gegenständen, Wänden, etc. hat, um einen ausreichenden Wärmeaustausch zu ermöglichen.

Bitte achten Sie auf einwandfreie Verkabelung sowohl der Stromzufuhr als auch der angeschlossenen Zuspelgeräte, Mixer, CD-Spieler usw. Verwenden Sie nur unbeschädigte Kabel mit ausreichendem Querschnitt sowie nur vollständig abgewickelte Kabelrollen. Verlegen Sie die Kabel so, dass keine Stolperfallen entstehen können (Gaffa-Tape). Das Gerät sollte nie direkt an eine Kante gestellt werden. Bitte stellen Sie den Subwoofer auch nicht auf einen Tisch. Es empfiehlt sich, das Gerät immer als letztes ein- sowie als erstes auszuschalten, um laute Ein- und Ausschaltknackser durch die angeschlossenen Geräte zu vermeiden.

ANSCHLUSS UND BEDIENUNG

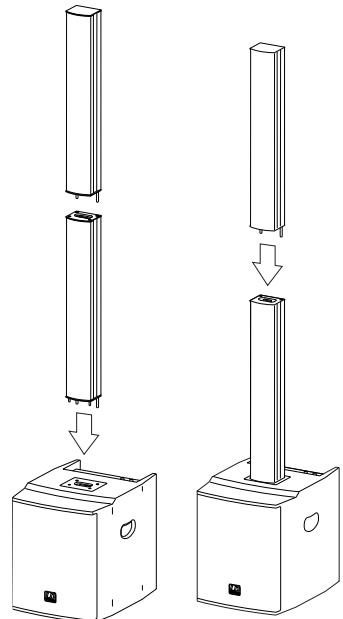
Es kann sowohl der Gesamtpegel des Systems als auch der Pegel des Subwoofers relativ zum Gesamtpegel eingestellt werden. Die endgültige Einstellung des Pegels erfolgt dann über das Zuspelgerät. Die Anschlüsse erlauben sowohl eine asymmetrische Verbindung als auch eine symmetrische Verbindung (XLR / Klinke 6.3 mm) zu einem Zuspelgerät. Die Position der Anschlüsse und Bedienelemente des LD MAUI28 sind auf der nächsten Seite dargestellt.

AUFBAU

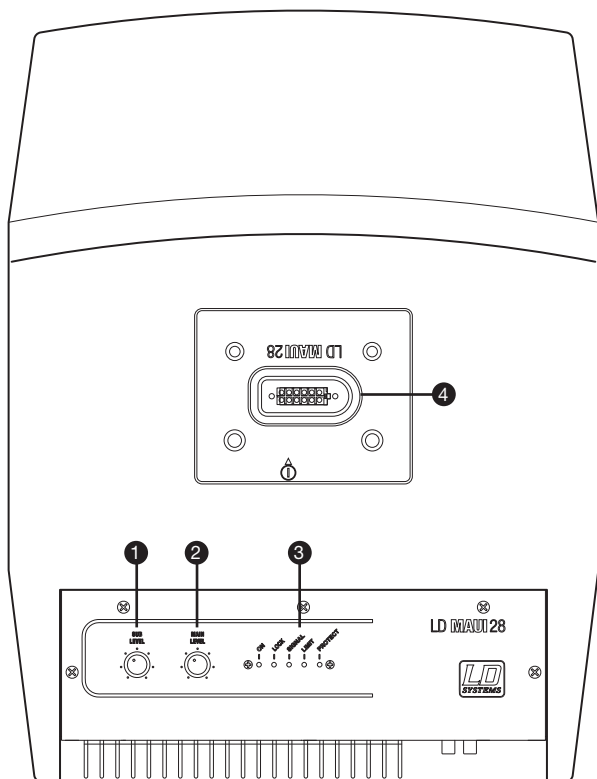
Das LD Systems MAUI28 All-in-one Array System besteht aus folgenden 3 Komponenten:

1. Subwoofer mit der integrierten Elektronik für alle 3 Systemteile.
2. Die untere Vertical-Array-Säule mit 8 x 3" Lautsprechern und 2 Multipin-Anschlüssen, je einer auf Ober- und Unterseite.
3. Die obere Vertical-Array-Säule mit 8 x 3" Lautsprechern, dem Hochtöner und einem Multipin-Anschluss auf der Unterseite.

Nach der Positionierung des Subwoofers in dem zu beschallenden Raum wird die untere Vertical-Array-Säule auf den Subwoofer aufgesteckt. 4 stabile Stahlstifte helfen dabei, dass die Multipin-Stecker beider Boxen perfekt ineinander greifen. Die obere Vertical-Array-Säule wird nun einfach nach dem gleichen Prinzip auf die untere Säule aufgesteckt. Die korrekte Verbindung aller Systemteile wird nach dem Einschalten des MAUI28 Array-Systems von einer speziellen Kontrollelektronik durch eine LED angezeigt.



BEDIENELEMENTE:



1 SUB LEVEL

Voreinstellung des Subwooferpegels im Verhältnis zum Pegel der Array-Säulen. Grundeinstellung 12 Uhr.

2 MAIN LEVEL

Voreinstellung der Gesamtlautstärke - der Subwoofer wird entsprechend der Voreinstellung am SUB LEVEL mitgeregelt.

3 LED'S

ON: leuchtet, wenn das Gerät eingeschaltet ist.
 LOCK: leuchtet, wenn das System korrekt zusammengesteckt ist.
 SIGNAL: leuchtet, wenn ein Signal am Eingang anliegt.
 LIMIT: leuchtet, wenn der Limiter aktiv ist.
 PROTECT: leuchtet bei Überlastung des Systems und schaltet automatisch stumm.

4 MULTIPIN STECKVERBINDER

Hier wird der untere Teil der Array-Säule eingesteckt.

ENGLISH

DEUTSCH

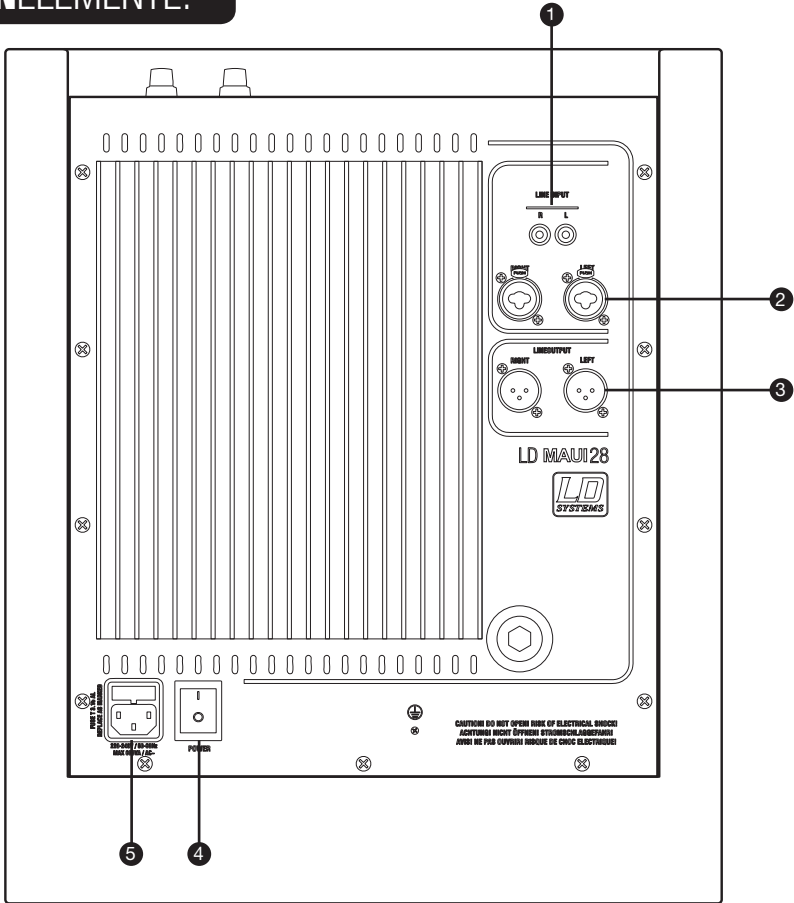
FRANCAIS

ESPAÑOL

POLSKI

ITALIANO

BEDIENELEMENTE:



1 INPUT RCA (LEFT / RIGHT)

2 INPUT XLR / PHONE JACK COMBO (LEFT / RIGHT)

Symmetrischer Line Eingang

3 OUTPUT XLR (LEFT / RIGHT)

Symmetrischer Line Ausgang

4 POWER SWITCH

Ein / Ausschalter. Angeschlossene Geräte wie Mischpulte etc. vor dem Aktivsystem einschalten und nach dem Aktivsystem ausschalten.

5 POWER CONNECTION SEAT

Anschlussbuchse 240 V (Kaltgerätestecker) und Sicherungshalter. Die Sicherung nur bei gezogenem Netzstecker auswechseln. Brennt die Sicherung wiederholt durch, muss das Gerät durch einen Fachbetrieb geprüft werden.

OPTIONALES ZUBEHÖR:



LDM28CB
Rollenbrett für MAUI28 System



LDM28SATBAG
Transporttasche für MAUI28 Säulenlautsprecher



LDM28SUBPC
Transporttasche für MAUI28 Subwoofer

ENGLISH

DEUTSCH

FRANCAIS

ESPAÑOL

POLSKI

ITALIANO



SPEZIFIKATIONEN:

Model Name:	LDMAUI28
Type: Subwoofer:	V - Construction Bass Reflex
Type: Vertical Array:	Sealed
Subwoofer:	2 x 8"
Vertical Array System (2pcs):	Fullrange: 16 x 3" /
HF:	1" Horn Tweeter
Amplification:	Class A / B
Dispersion:	Horizontal 120° in average
Power Output (W/RMS):	Subwoofer: 200
Array System (W/RMS):	200
Frequency Response (Hz):	45 - 20000
Sensitivity (1 W / 1 m) (dB):	98
Max SPL (dB):	115
Protection:	Dual Limiter
Controls:	Volume, Sub Level, ON/OFF Switch
Indicators:	On, Lock, Signal, Limit, Protect
Subwoofer Connectors:	Input: RCA / XLR / 6.3 mm jack (combo) / Direct line through: XLR
Satellite Connectors:	Custom Made Multi Pin Connector
Cabinet Material:	Subwoofer: 15 mm Plywood
Satellites:	Aluminium
Cabinet Surface:	Subwoofer: Dura-Coat LX / Satellites: HD Coating
Dimensions W x H x D (mm):	Subwoofer: 390 x 450 x 510/ Satellite: 110 x 790 x 90
Weight (kg):	Subwoofer: 29,0 / Satellite: 3,6
Features:	Assisted Vertical Array set up with LED control for correct connection, Easy connection with Multipin plug (no cables), Stable connection via four steel extensions

Da all unsere Produkte ständig geprüft und verbessert werden, können technische Änderungen ohne vorherige Ankündigung vorgenommen werden.

ENGLISH

DEUTSCH

FRANCAIS

ESPAÑOL

POLSKI

ITALIANO

GARANTIEBESTIMMUNGEN

Diese Garantie erstreckt sich auf die Marken Adam Hall, LD Systems, Defender, Palmer und Eminence.

Die gesetzlichen Gewährleistungsrechte gegenüber dem Verkäufer werden von dieser Garantie nicht berührt. Vielmehr begründet diese Garantie zusätzliche selbständige Ansprüche gegenüber Adam Hall.

Mit dieser Garantie stellt Adam Hall sicher, dass das von Ihnen bei Adam Hall oder einem Adam Hall Partner erworbene Produkt bei normalem Gebrauch während des Zeitraums von 2 bzw. 5 Jahren ab Kaufdatum frei von Material- oder Verarbeitungsfehlern ist.

Der Garantiezeitraum beginnt mit dem Datum des Kaufs.

Der Geltendmachung eines Anspruchs auf Garantieleistungen erforderliche Nachweis des Kaufdatums, erfolgt durch die mit dem Kaufdatum versehene Quittung oder den mit dem Kaufdatum versehenen Lieferschein. Sie haben Anspruch auf den Garantieservice zu den in diesem Dokument aufgeführten Bedingungen und Bestimmungen, falls eine Reparatur der unter den oben genannten Marken vertriebenen Produkte innerhalb des Garantiezeitraums erforderlich ist.

Diese Garantie gilt nur für den ursprünglichen Käufer des von Adam Hall vertriebenen Produkts und ist nicht an Personen übertragbar, denen vom ursprünglichen Käufer das Eigentum am Adam Hall Produkt übertragen wird.

Innerhalb des Garantiezeitraums werden die fehlerhaften Komponenten oder das Produkt von Adam Hall repariert oder ersetzt. Alle im Rahmen dieser Garantie entfernten Komponenten und Hardware-Produkte gehen in das Eigentum von Adam Hall über.

In dem unwahrscheinlichen Fall, dass bei dem von Ihnen erworbenen Adam Hall Produkt ein Fehler wiederholt auftritt, kann Adam Hall nach eigenem Ermessen entscheiden, Ihnen dieses Produkt durch ein vergleichbares Produkt mit mindestens derselben Leistung zu ersetzen.

Adam Hall übernimmt keine Garantie für einen störungs- oder fehlerfreien Betrieb dieses Produkts. Adam Hall übernimmt keine Verantwortung für auf eine inkorrekte Befolgung der im Lieferumfang des Adam Hall erhaltenen Anweisungen zurückzuführende Schäden.

Diese Garantie erstreckt sich nicht auf

- Verschleißteile (z.B. Akkumulator).
- Geräte deren Seriennummer entfernt wurde.
- Geräte, die durch Eigenverschulden beschädigt wurden.
- unsachgemäß oder mißbräuchlich verwendete Geräte.
- Geräte, die nicht entsprechend den Betriebsparametern betrieben wurden, welche im Lieferumfang des Produkts enthaltenen Benutzerunterlagen festgelegt sind.
- Geräte, die aufgrund der Verwendung nicht von Adam Hall hergestellter oder vertriebener Teile repariert wurden.
- Geräte, die durch Änderung oder Wartung durch jemand anderen als Adam Hall getätigt wurden.

Diese Bestimmungen und Bedingungen stellen die vollständige und ausschließliche Garantievereinbarung zwischen Ihnen und Adam Hall für das von Ihnen erworbene Adam Hall Produkt dar.

HERSTELLERERKLÄRUNGEN:

ENGLISH

HAFTUNGSBESCHRÄNKUNG

Wenn das unter der Marke Adam Hall vertriebene Produkt nicht entsprechend der obigen Garantie funktioniert, besteht Ihr alleiniger und ausschließlicher Anspruch aus dieser Garantie in der Reparatur oder dem Ersatz. Weitergehende Gewährleistungsansprüche bleiben hiervon unberührt. Die maximale Haftung von Adam Hall im Rahmen dieser Garantie ist ausdrücklich beschränkt auf den jeweils niedrigeren Betrag, der sich entweder aus dem Kaufpreis für das Produkt oder aus den Reparatur- bzw. Ersatzkosten von Hardware-Komponenten, die bei normalem Gebrauch nicht Ordnungsgemäß funktionieren, ergibt.

Adam Hall haftet aus dieser Garantie nicht für durch das Produkt oder sein versagen verursachte Schäden, einschließlich entgangener Gewinne, unterbliebener Einsparungen oder besonderer, indirekter oder Folgeschäden. Adam Hall haftet zudem nicht für von Dritten oder von ihnen für Dritte geltend gemachte Ansprüche.

Diese Haftungsbeschränkung gilt unabhängig davon, ob Schäden gerichtlich verfolgt werden, ob Schadensersatzansprüche im Rahmen dieser Garantie oder aufgrund unerlaubter Handlungen (Einschließlich Fahrlässigkeit und Gefährdungshaftung) oder aufgrund vertraglicher bzw. sonstiger Ansprüche gestellt werden. Diese Haftungsbeschränkung kann von keiner Person aufgehoben oder ergänzt werden. Diese Haftungsbeschränkung gilt auch dann, wenn sie Adam Hall über die Möglichkeit derartiger Schäden informiert haben. Sie gilt jedoch nicht für Ansprüche aus Personenschäden.

Aus dieser Garantie ergeben sich für Sie bestimmte Rechte. Möglicherweise haben Sie weitere Rechte, die Ihnen von Staat zu Staat und von Land zu Land unterschiedlich sein können. Es ist ratsam, die entsprechenden Gesetze des Staates bzw. Landes heranzuziehen, um Ihre Rechte umfassend zu ermitteln.

DEUTSCH

FRANCAIS

ESPAÑOL

INANSPRUCHNAHME DES REPARATURSERVICE

Um den Garantieservice bzw. Reparaturservice für das Produkt in Anspruch zu nehmen, wenden Sie sich bitte an Adam Hall oder an einen Adam Hall Partner, bei dem Sie das Produkt erworben haben.

EG-KONFORMITÄTSERKLÄRUNG

Diese Geräte entsprechen den grundlegenden Anforderungen und den weiteren Vorgaben der Richtlinien 1999/5/EU, 89/336/EU und 73/23/EU.

KORREKTE ENTSORGUNG DIESES PRODUKTES

(Gültig in der Europäischen Union)



Dieses Symbol (entweder auf dem Gerät oder dem dazugehörigen Handbuch) weist darauf hin, dass das Gerät nicht mit dem normalen Hausmüll entsorgt werden darf. Um mögliche Schäden an der Umwelt und an Personen zu verhindern, entsorgen Sie dieses Gerät bitte fachgerecht bei einer entsprechenden Stelle für Elektromüll.

POLSKI

ITALIANO

Als Privatkunde Informieren Sie sich bitte beim Hersteller oder bei Ihrer Gemeinde über die Möglichkeiten der korrekten Entsorgung.

Als Geschäftskunde kontaktieren Sie bitte Ihren Lieferanten und prüfen Sie die Konditionen zur Entsorgung der Geräte. Dieses Produkt sollte nicht mit anderem gewerblichen Abfall entsorgt werden.

HERSTELLERERKLÄRUNGEN:

WEEE-DEKLARATION



Ihr LD-Systems Produkt wurde unter der Verwendung hochwertiger Materialien und Komponenten die wiederverwertet oder wieder verwendet werden können hergestellt. Dieses Symbol weist darauf hin, dass elektronische Geräte nicht im normalen Hausmüll entsorgt werden dürfen. Entsorgen Sie dieses Gerät bitte fachgerecht bei einer entsprechenden Stelle für Elektromüll und helfen Sie dabei unsere Umwelt zu schützen.

BATTERIEN UND AKKUS



Die mitgelieferten Batterien können wiederverwertet werden. Werfen Sie die Batterien daher nicht in den normalen Hausmüll sondern in gesonderte dafür vorgesehene Container. Helfen Sie, unsere Umwelt sauber zu halten.

ENGLISH

DEUTSCH

FRANCAIS

ESPAÑOL

POLSKI

ITALIANO

Adam Hall GmbH, alle Rechte vorbehalten. Änderungen der Technischen Daten und Produktmerkmale vorbehalten. Das Erstellen von Fotokopien, Übersetzungen und anderen Reproduktionen dieser Bedienungsanleitung oder Teilen derselben ohne vorherige Genehmigung ist untersagt.



ENGLISH

DEUTSCH

FRANCAIS

ESPAÑOL

POLSKI

ITALIANO

Merci d'avoir choisi LD-Systems!

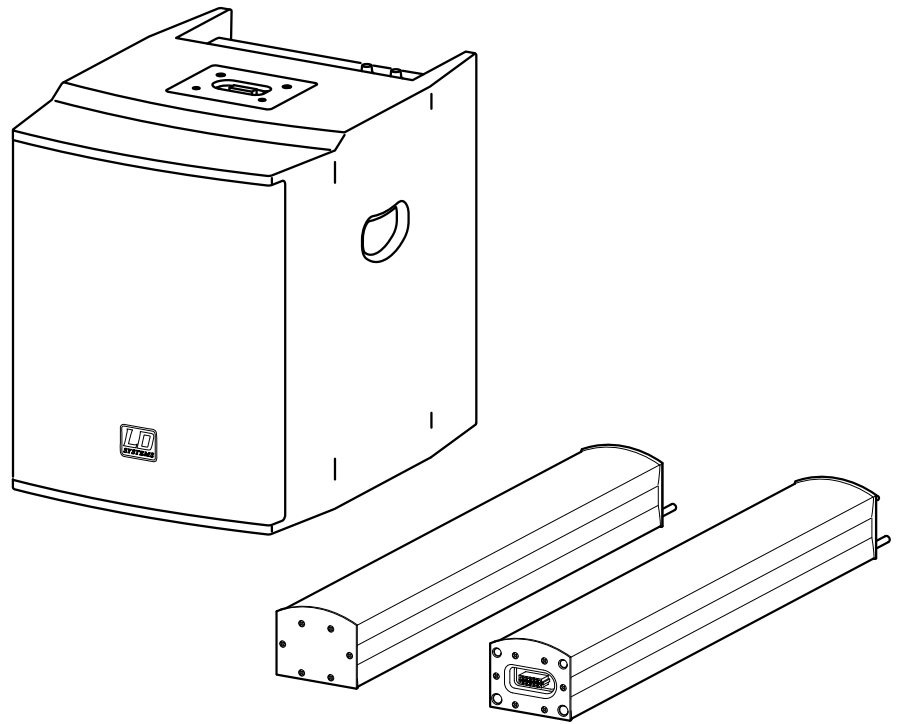
Nous avons conçu ce produit afin de vous offrir un matériel fiable, qui vous accompagnera durant de longues années. En achetant l'un des produits de la marque LD-Systems vous bénéficiez de notre compétence reconnue et de nos nombreuses années d'expérience en tant que fabricant. Notre nom est notre garantie.

Veuillez s'il-vous-plait prendre quelques minutes pour lire attentivement ces instructions d'utilisation car nous souhaitons que vous puissiez profiter pleinement et au plus vite de votre matériel LD-Systems.

Pour plus d'informations sur LD-Systems venez visiter notre site WWW.LD-SYSTEMS.COM

LD MAUI 28

SYSTÈME SONO COMPACTAMPLIFIÉ EN COLONNE



PRÉCAUTIONS D'UTILISATION:

1. Veuillez lire attentivement les précautions d'utilisation et les instructions suivantes.
2. Veuillez conserver ce manuel d'utilisation.
3. Veuillez utiliser cet appareil uniquement conformément à son but d'utilisation initial.
4. Veuillez respecter les règles de traitement des déchets. Veuillez s'il-vous-plait séparer les déchets plastiques des déchets papiers et les déposer dans un bac à ordures adéquat.
5. En cas de panne, de dommage, d'exposition de l'appareil à la pluie ou autres liquides, veuillez contacter une personne qualifiée pour le service après-vente de nos produits.
6. Veuillez ne pas exposer ce produit à des sources de chaleur, telles que les fours, les radiateurs ou tout autre appareil produisant de la chaleur (notamment les amplificateurs de puissance). Pour éviter les risques de surchauffe veuillez à ce que l'appareil ne soit pas placé trop près d'un mur, ou enfermé dans un boîtier, pour que la circulation de l'air ne soit pas obstruée.
7. Après avoir connecté votre appareil veuillez inspecter le câblage pour éviter les risques d'accident ou d'avarie. Veuillez ne jamais utiliser de câbles endommagés.
8. Veuillez utiliser uniquement les accessoires et supports de fixation fournis ou recommandés par le constructeur. Assurez vous de la stabilité de votre installation avant d'utiliser votre matériel, vous éviterez les risques de chutes et donc de dommages de l'appareil.
9. Apparition d'interférences lors de l'usage de systèmes HF sans fil.
L'utilisation simultanée de micros sans fil et de téléphones portables (si les deux appareils sont peu éloignés l'un de l'autre) peut générer des interférences au niveau du microphone. Ces interférences sont audibles dans les haut-parleurs de votre système de sonorisation lorsque le système sans fil y est relié.



DANGER:

Pour réduire les risques de choc électrique veuillez ne pas retirer le couvercle (ou la face arrière) de l'appareil. Les pièces situées à l'intérieur de l'appareil ne doivent pas être manipulées par l'utilisateur. Veuillez contacter exclusivement une personne qualifiée pour le service après-vente de nos produits.



L'éclair finissant par une flèche, entouré d'un triangle équilatéral vous indique la présence à l'intérieur du boîtier de pièces non isolées, représentant un risque de "haute tension électrique" et pouvant par conséquent blesser les personnes.



Le point d'exclamation, entouré d'un triangle équilatéral, vous indique la présence d'instructions importantes quant-à l'utilisation et à l'entretien dans la brochure fournie avec le produit.

ATTENTION! NIVEAU SONORE ÉLEVÉ!

Vous allez utiliser ce système de transmission sans fil à des fins professionnelles. Dans ce cas l'utilisation de ce produit est soumise à des règles et à des directives définies par votre organisme professionnel de prévention des accidents du travail. En tant que fabricant, Adam Hall se doit de vous mettre en garde formellement sur les risques éventuels que cet appareil peut présenter pour votre santé.

Ce système est capable de générer une pression acoustique supérieure à 80dB. 85dB est la limite légale du niveau sonore à laquelle votre ouïe peut être soumise lors d'une journée de travail. Cette valeur a été fixée par la médecine du travail comme valeur de référence pour la mesure du niveau sonore. Vous exposer à des niveaux sonores plus élevés, ou sur une durée plus longue peut endommager votre ouïe. Si vous vous exposez à des pressions acoustiques supérieures à la limite légale, pensez à raccourcir le temps d'exposition pour vous protéger d'éventuelles dégradations de votre ouïe. Voici quelques signes pouvant vous alerter d'une exposition trop longue à un niveau sonore trop élevé :

- Vous entendez des sons de cloche, de sonnerie ou des sifflements !
- Vous avez l'impression de ne plus entendre les sons aigus !

FONCTIONNALITÉS & PRISE EN MAIN :

INTRODUCTION

Il constitue une solution idéale, tant pour les musiciens que pour les DJ, mais aussi pour les présentations ou les événementiels nécessitant une diffusion musicale puissante et de qualité.

Ce système "Plug and Play" est très facile et très rapide à monter/démonter. La restitution sonore allie dynamique, clarté et équilibre sur tout le spectre audio, grâce à une amplification répartie sur cinq amplificateurs (système 4.1) alimentant des transducteurs échelonnés en fréquence. La disposition de cet "Array" assure une portée plus étendue et une couverture sonore extrêmement uniforme, même dans les coins les plus éloignés.

Le système MAUI 28 allie sonorisation et retours, et garantit une excellente qualité sonore, tant côté public que côté musiciens. Plus de câbles d'enceintes, plus de pieds, plus de problèmes de transport : branchez votre console de mixage et jouez !

ENGLISH

DEUTSCH

FRANCAIS

ESPAÑOL

POLSKI

ITALIANO

INSTALLATION, CONNEXION ET MISE EN SERVICE:

TRANSPORT ET INSTALLATION

Le système amplifié MAUI 28 est très compact et facile à transporter. Pour installer votre système commencez par poser le caisson de basses sur ses pieds en caoutchouc. Ne transportez jamais votre système sur un plateau à roulettes si le système est en service. Le système pourrait se renverser. Ceci pourrait avoir de graves conséquences (dégâts matériels ou pire, blessures). Les dissipateurs thermiques se trouvent sur la face arrière du caisson. Veillez à laisser un espacement minimum de 50 cm entre ces dissipateurs et tout autre objet se trouvant derrière le système (murs etc.) afin d'assurer une bonne circulation et un bon renouvellement de l'air. Veillez à ce que le cordon d'alimentation soit bien connecté ainsi que les appareils externes tels que lecteur CD, console de mixage etc. N'utilisez pas de câbles endommagés. Les câbles que vous utilisez doivent être en parfait état et avoir un diamètre suffisant. Pensez à sécuriser vos câbles au sol avec de l'adhésif Gaffa par exemple. Vous éviterez ainsi que quelqu'un trébuche et se blesse. Ne placez pas l'appareil en bord de scène. Ne placez pas non plus le caisson de basses sur une table. Nous recommandons de toujours allumer le système en dernier et de toujours l'éteindre en premier. Vous éviterez les bruits parasites qui peuvent être générés par les appareils externes.

CONNEXION ET MISE EN SERVICE Le MAUI 28 vous offre la possibilité de régler le niveau de volume général du système

mais offre également un réglage indépendant du niveau de volume du caisson de basses. Ceci vous permet de doser les basses avec précision. Le réglage final du niveau de volume se fera ensuite sur votre source audio (mixeur, lecteur CD ou autres). Les différentes connectiques permettent une connexion symétrique ou asymétrique (XLR / Jack 6,35 mm / RCA) de vos appareils externes.

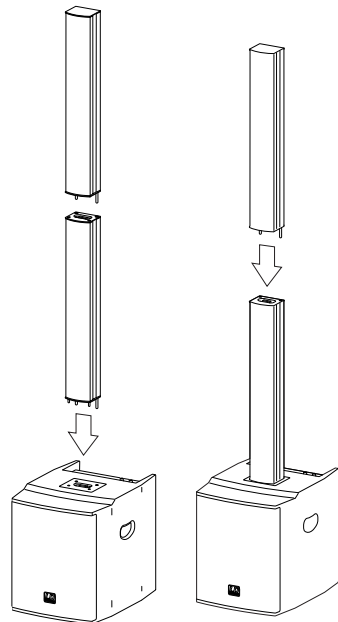
Vous trouverez une description détaillée de la connectique et des éléments de contrôle du MAUI 28 sur la page suivante de ce manuel.

INSTALLATION

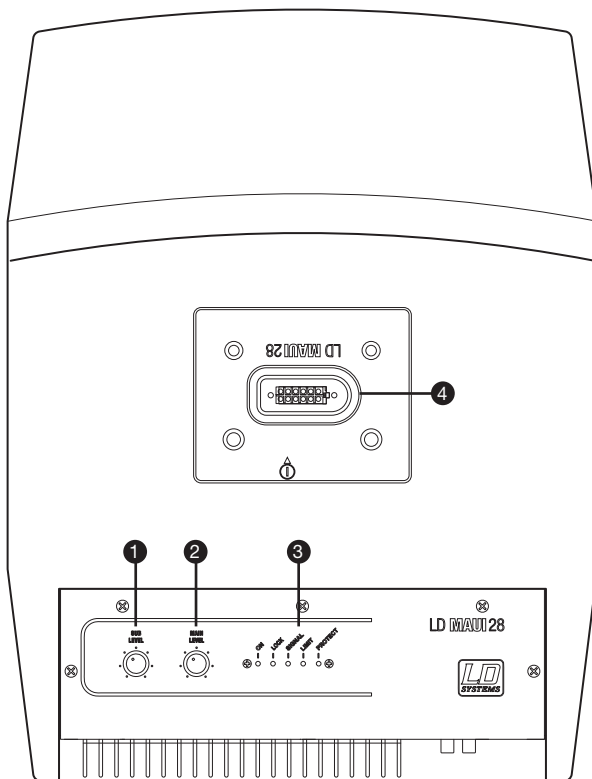
Le système "All in one Array" LD Systems MAUI 28 est composé des trois éléments suivants:

1. Un caisson de basses intégrant l'électronique pour les trois composants différents.
2. La partie inférieure de la colonne array verticale avec 8 haut-parleurs trois pouces et 2 connecteurs multibroches, l'un sous la base, l'autre à son sommet.
3. La partie supérieure de la colonne array verticale avec 8 haut-parleurs trois pouces, un moteur d'aigus et un connecteur multibroche situé sous sa base.

Une fois le caisson de basses installé veuillez placer la partie inférieure de la colonne verticale sur le caisson. Les 4 broches en acier vous aident à guider les connecteurs multibroches et à les emboîter parfaitement. La partie supérieure de la colonne verticale peut à présent être montée de la même manière sur la partie inférieure. Après la mise sous tension du MAUI 28 une LED de contrôle vous indiquent si le système a été correctement connecté.



ÉLÉMENTS DE CONTRÔLE :



ENGLISH

DEUTSCH

FRANCAIS

ESPAÑOL

POLSKI

ITALIANO

1 SUB LEVEL

Réglage du niveau de volume du caisson par rapport au volume de la colonne array. Réglage de base sur position médiane

2 MAIN LEVEL

Pré-réglage du volume général - le caisson de basses dispose d'un réglage de volume indépendant (SUB LEVEL).

3 LED'S

ON: s'illumine lorsque le système est sous tension

LOCK: s'illumine lorsque le système (les trois différents composants) a été correctement connecté
 SIGNAL: s'illumine lorsqu'un signal audio est détecté.

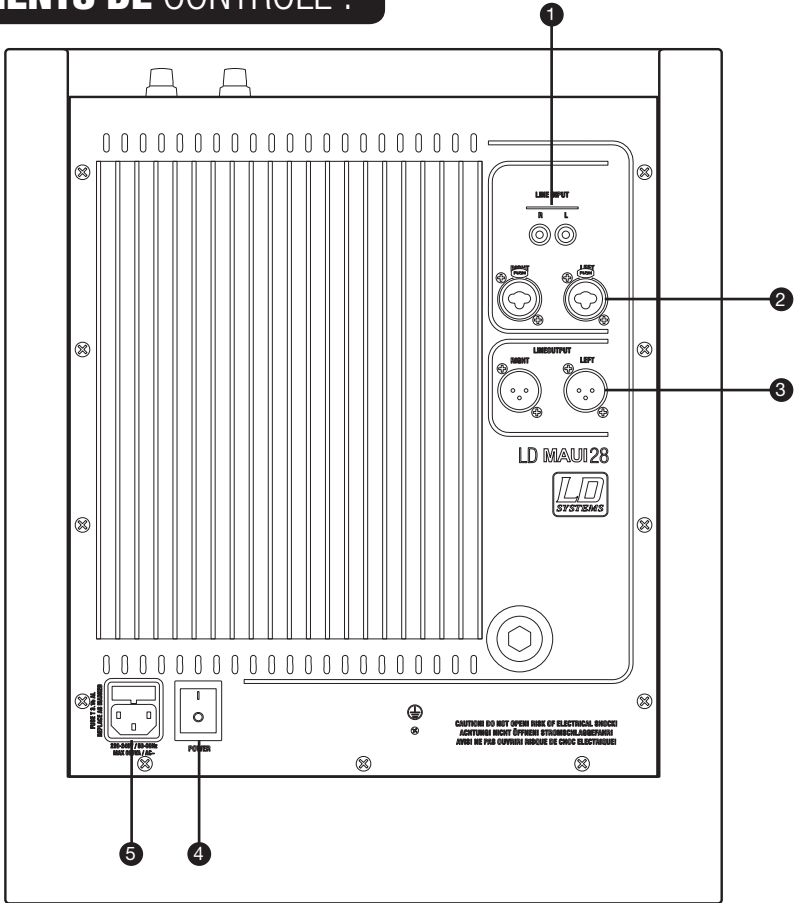
LIMIT: s'illumine lorsque le limiteur est activé

PROTECT: s'illumine en cas de surcharge du système et coupe le son automatiquement.

4 CONNECTEURS MULTIBROCHES

La partie inférieure de la colonne array verticale se connecte ici

ÉLÉMENTS DE CONTRÔLE :



1 ENTRÉE RCA (GAUCHE / DROITE)

mixeur, votre lecteur CD ou autres, avant de mettre en marche votre MAUI 28.

2 ENTRÉE COMBO XLR / JACK 6,35 MM (GAUCHE / DROITE)

Entrée ligne symétrique

5 EMBASE D'ALIMENTATION

Embase d'alimentation 240 V (connecteur IEC) et porte-fusibles. Toujours débrancher le cordon d'alimentation avant de remplacer le fusible. Si le fusible saute à plusieurs reprises, l'appareil doit être testé par un spécialiste.

3 SORTIE XLR (GAUCHE / DROITE)

Sortie ligne symétrique

4 INTERRUPTEUR DE MISE SOUS TENSION

Interrupteur marche / arrêt Veuillez mettre en marche les appareils externes tels que votre

ACCESSOIRES EN OPTION :



LDM28CB

Plateau de transport pour le système MAUI



LDM28SATBAG

Housse de protection pour les enceintes en colonne du MAUI



LDM28SUBPC

Housse de protection pour le caisson de basses du MAUI

ENGLISH

DEUTSCH

FRANCAIS

ESPAÑOL

POLSKI

ITALIANO

CARACTÉRISTIQUES:

Model Name:	LDMAUI28
Type: Subwoofer:	V - Construction Bass Reflex
Type: Vertical Array:	Sealed
Subwoofer:	2 x 8"
Vertical Array System (2pcs):	Fullrange: 16 x 3" /
HF:	1" Horn Tweeter
Amplification:	Class A / B
Dispersion:	Horizontal 120° in average
Power Output (W/RMS):	Subwoofer: 200
Array System (W/RMS):	200
Frequency Response (Hz):	45 - 20000
Sensitivity (1 W / 1 m) (dB):	98
Max SPL (dB):	115
Protection:	Dual Limiter
Controls:	Volume, Sub Level, ON/OFF Switch
Indicators:	On, Lock, Signal, Limit, Protect
Subwoofer Connectors:	Input: RCA / XLR / 6.3 mm jack (combo) / Direct line through: XLR
Satellite Connectors:	Custom Made Multi Pin Connector
Cabinet Material:	Subwoofer: 15 mm Plywood
Satellites:	Aluminium
Cabinet Surface:	Subwoofer: Dura-Coat LX / Satellites: HD Coating
Dimensions W x H x D (mm):	Subwoofer: 390 x 450 x 510/ Satellite: 110 x 790 x 90
Weight (kg):	Subwoofer: 29,0 / Satellite: 3,6
Features:	Assisted Vertical Array set up with LED control for correct connection, Easy connection with Multipin plug (no cables), Stable connection via four steel extensions

Comme tous nos produits sont constamment contrôlés et améliorés, des modifications techniques sont possibles, sans préavis.

DÉCLARATIONS DU FABRICANT:

ENGLISH

DEUTSCH

FRANCAIS

ESPAÑOL

POLSKI

ITALIANO

GARANTIE LIMITÉE:

Cette garantie limitée s'applique aux produits de la marque Adam Hall, LD Systems, Defender, Palmer et Eminence. Les droits inhérents à la garantie légale vis-à-vis du revendeur ne sont pas affectés par cette garantie. En fait elle justifie d'une garantie supplémentaire indépendante auprès de la société Adam Hall.

La société Adam Hall garantit que le produit que vous avez acheté Adam Hall ou à l'un de ses revendeurs officiels, est exempt de défaut matériel et d'usinage pour une durée de 2 ans (ou 5 ans pour les produits Palmer) à partir de la date d'achat, lorsqu'il est utilisé dans des conditions normales.

La période de garantie limitée débute le jour de l'achat du produit. Pour bénéficier de cette garantie vous devez produire une preuve d'achat sur laquelle figure la date d'achat du produit (ex : ticket de caisse daté, bon de livraison daté...). Si un produit d'une des marques citées ci-dessus venait à nécessiter une réparation durant la période de garantie limitée, vous aurez alors le droit de bénéficier des services de la garantie selon les termes et conditions mentionnés par ce document.

Cette garantie limitée ne s'applique qu'à l'acheteur initial de ce produit Adam Hall et ne peut être en aucun cas transférée à un tiers devenu propriétaire du produit. Durant la période de garantie limitée, Adam Hall s'engage à réparer ou remplacer les pièces défectueuses du produit. Toutes les pièces ou éléments démontés lors d'une réparation par Adam Hall deviennent la propriété d'Adam Hall.

Dans le cas improbable d'un défaut récurrent, Adam Hall peut, à sa discrétion, décider de vous fournir un produit de remplacement de son choix, dont les capacités techniques sont au moins équivalentes à celles de votre produit initial.

Adam Hall ne garantit pas que le fonctionnement de ce produit sera exempt d'erreur ou ininterrompu. Adam Hall ne peut pas être rendu responsable des dégâts résultant de votre manquement à suivre les instructions d'utilisation fournies avec votre produit.

Cette garantie limitée ne s'applique pas,

- aux pièces d'usure (ex: piles)
- aux produits dont le numéro de série a été effacé ou aux produits endommagés ou rendus défectueux par accident
- dans le cas d'une utilisation non conforme aux conditions normales d'utilisation, dans le cas d'abus ou toute autre cause externe
- dans le cas d'un usage du produit en dehors des paramètres d'utilisation stipulés dans la documentation fournie avec le produit
- dans le cas de l'usage de pièces de remplacement n'étant pas fabriquées ou vendues par Adam Hall
- dans le cas d'une modification du produit ou d'une réparation par quiconque autre qu'Adam Hall

Ces termes et conditions constituent l'accord de garantie complet et exclusif entre vous et Adam Hall concernant le produit de la marque Adam Hall que vous vous êtes procuré.

LIMITATION OF LIABILITY

Si votre produit Adam Hall devait ne pas fonctionner correctement, votre seul et unique dédommagement sera la réparation du produit ou son remplacement. La responsabilité maximale imputable à Adam Hall dans le cadre de cette garantie limitée se limite au montant le plus bas. Ce montant découle du prix d'achat du produit ou bien du coût de la réparation ou des pièces de remplacement qui sont tombés en panne dans des conditions d'utilisation normales.

Adam Hall n'est pas responsable des dommages causés par le produit ou par un dysfonctionnement du produit, y compris les pertes de profits, les pertes d'épargne, et les conséquences inhérentes à ces dommages. La responsabilité d'Adam Hall ne peut pas être engagée dans le cas d'une réclamation par un tiers ou dans le cas d'une réclamation émanant de l'acheteur initial pour le compte d'un tiers.

Cette limitation de responsabilité est valable indépendamment du fait que les dommages commis fassent l'objet de poursuites judiciaires, qu'ils fassent l'objet de réclamation (y compris pour négligence), de réclamations contractuelles ou tout autre réclamation. Cette limitation de responsabilité ne peut être amendée ou dérogée par quiconque. Elle est effective même si vous aviez avisé Adam Hall ou l'un de ses représentants officiels de la possibilité d'un tel dommage. Toutefois cette limitation de responsabilité est sans effet dans le cas de réclamations pour dommages corporels.

Cette garantie limitée vous confère des droits légaux spécifiques. Selon votre pays, ou l'État dans lequel vous vous trouvez, il est possible que vous disposiez d'autres droits. Veuillez consulter les lois applicables dans votre pays ou votre État pour déterminer l'ensemble de vos droits.

FAIRE FONCTIONNER LA GARANTIE

Pour faire fonctionner la garantie sur ce produit, veuillez contacter Adam Hall ou le revendeur agréé auquel vous avez acheté le produit.

UE-DÉCLARATION DE CONFORMITÉ

Ces produits sont conformes aux exigences essentielles des directives européennes 1999/5/EU, 89/336/EU ainsi qu'à leurs clauses additionnelles.

ÉLIMINATION CORRECTE DES DÉCHETS (DÉCHETS ÉLECTROMÉNAGERS)

(Applicable dans l'Union Européenne et dans les autres pays européens disposant d'un système de tri des déchets)



Ce signe figurant sur le produit, ou dans la brochure jointe au produit, indique qu'il ne doit pas être jeté dans le même bac à ordures que les déchets ménagers classiques lorsqu'il arrive en fin de vie. Pour écarter les risques de pollution de l'environnement ou les risques d'intoxication humaine dûs à un mauvais traitement des déchets, veuillez séparer ce produit des autres types de déchets. Il sera ainsi inséré dans la boucle du recyclage et ces composants pourront être traités puis éventuellement réutilisés.

Nous recommandons aux particuliers de contacter leur revendeur local ou les autorités locales pour s'informer de la meilleure façon de traiter les déchets électroménagers.

Les professionnels doivent contacter leur fournisseur et examiner avec lui les termes et conditions de leur contrat d'achat. Ce produit ne doit pas être mélangé aux déchets industriels.

DECLARATION WEEE



Votre produit LD-Systems a été développé et fabriqué avec des matériaux et des composants de haute qualité, qui peuvent être recyclés et/ou réutilisés. Ce symbole indique que les appareils électriques et électroniques, à la fin de leur durée de vie opérationnelle, doivent être gérés séparément des déchets ordinaires.

Veuillez apporter ce produit au point de collecte ou centre de recyclage local prévu pour de tels appareils. Vous contribuerez ainsi à la protection de l'environnement dans lequel nous vivons tous.

BATTERIES ET ACCUMULATEURS



Les piles ou batteries rechargeable livrées avec l'appareil sont recyclables. Veuillez les jeter dans un bac à déchets spécial, ou déposez-les chez votre revendeur spécialisé. Pour une meilleure protection de l'environnement, ne jetez les piles que lorsqu'elles sont épuisées.

Adam Hall GmbH, tous droits réservés. Les caractéristiques techniques et les fonctions disponibles sur le produit sont sujettes à modifications. La photocopie, la traduction et toute forme de copie, partielle ou intégrale, de ce manuel utilisateur sont interdites.



ENGLISH

DEUTSCH

FRANÇAIS

ESPAÑOL

POLSKI

ITALIANO

Gracias por elegir LD-Systems!

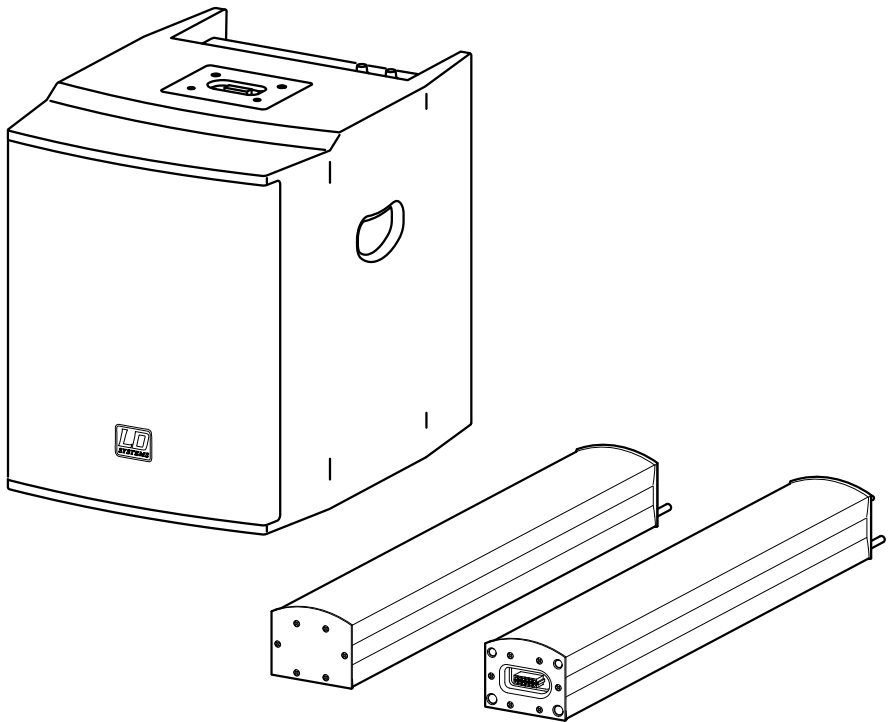
Este producto se ha diseñado para ofrecer una fiabilidad y durabilidad óptima. Los productos de LD-Systems se caracterizan por su gran calidad, avalada por el prestigio de la marca y una dilatada experiencia como fabricante.

Le rogamos que lea atentamente estas instrucciones para familiarizarse rápidamente con este producto LD-Systems y aprovechar al máximo todas las funciones.

Si desea obtener información sobre LD-Systems, visite nuestro sitio web WWW.LD-SYSTEMS.COM

LD MAUI 28

SISTEMA COMPACTO **DE PA ACTIVO** DE COLUMNA



MEDIDAS PREVENTIVAS:

1. Lea atentamente las instrucciones de seguridad adjuntas así como las instrucciones de este documento.
2. Guarde todas las instrucciones.
3. Utilice el equipo únicamente según la finalidad prevista.
4. Procure seguir las normas vigentes sobre reciclaje de desechos. Separe los componentes de plástico, papel y cartón del paquete para reciclarlos en sus contenedores respectivos.
5. Acuda a personal de servicio técnico cualificado en caso de que el equipo esté dañado, no funcione correctamente, se haya expuesto a lluvia o haya caído líquido sobre el equipo.
6. Evite colocar el equipo cerca de una fuente de calor, como hornos, radiadores o cualquier otro dispositivo (incluidos los amplificadores). Mantenga una distancia suficiente entre los amplificadores y las paredes, estanterías, etc. para evitar cualquier sobrecalentamiento.
7. Una vez realizadas todas las conexiones, compruebe el cableado para evitar posibles daños o accidentes. No utilice cables o conexiones que estén dañados.
8. En la instalación utilice solo soportes, fijaciones, estantes, mesas, etc. que sean estables y estén homologados. Compruebe que la estabilidad es adecuada para evitar la caída del equipo.
9. Interferencias con los sistemas inalámbricos.

El uso simultáneo de micrófonos inalámbricos y de teléfonos móviles, cuando estos dispositivos están a corta distancia entre sí, puede provocar interferencias en la señal del micrófono que serán audibles en el sistema de megafonía.



ADVERTENCIA:

Para evitar el riesgo de descarga eléctrica, no retire la tapa (o el panel posterior). Este equipo no contiene piezas que puedan ser reparadas por el usuario. Para cualquier tarea de mantenimiento o reparación, acuda a un técnico cualificado.



El símbolo de rayo dentro de un triángulo equilátero advierte al usuario de la presencia de tensión peligrosa sin aislamiento dentro de la carcasa del producto que puede ser de magnitud suficiente como para suponer un riesgo para las personas.



El símbolo de exclamación dentro de un triángulo equilátero advierte al usuario de la existencia de importantes instrucciones de funcionamiento y mantenimiento (reparaciones) en la documentación adjunta con el equipo.

¡ADVERTENCIA: ALTO VOLUMEN!

Este sistema de transmisión se destina a un uso profesional. Por consiguiente, si se aplica a un uso comercial, estará sujeto a las normas y reglamentos de la Asociación para la prevención de accidentes de su sector profesional. Como fabricante, Adam Hall tiene la obligación de informar formalmente a los usuarios de la existencia de posibles riesgos para la salud.

Este sistema puede producir una presión sonora de 80 dB. Por ley, 85 dB es el nivel de presión sonora máximo al que puede estar expuesto durante una jornada laboral. Este nivel se estableció a partir de los datos científicos obtenidos de las investigaciones realizadas en el campo de la medicina del trabajo. Un nivel superior o un tiempo de exposición mayor pueden provocar daños en su oído. Para no ocasionar lesiones auditivas, el tiempo de exposición deberá acortarse si aumenta el nivel de presión sonora. Estos son algunos de los síntomas que indican una exposición excesiva a altos niveles de presión sonora:

- Escucha silbidos.
- Le parece que ya no puede oír los tonos agudos.

INTRODUCCIÓN Y CARACTERÍSTICAS:

INTRODUCCIÓN

El LD MAUI 28 (Multiple Array User Intuitive) es la solución ideal para todo músico y DJ, así como para presentaciones y eventos que requieren una reproducción musical con la máxima fidelidad.

Al ser un sistema plug and play, la instalación se realiza rápida y fácilmente. El sistema 4.1, con amplificación de cinco vías, proporciona un sonido dinámico, claro y equilibrado en toda la gama de audio. El diseño del array proporciona una amplia cobertura con una distribución uniforme, incluso en los rincones más alejados de la sala.

El sistema MAUI 28, que combina sistemas de PA y de monitorización todo en uno, garantiza la misma experiencia musical tanto para el músico como para el público. No hay molestos cables de altavoz, ni soportes, ni los típicos problemas de transporte; sólo tiene que conectar la mesa de mezclas y ¡ya está!

ENGLISH

DEUTSCH

FRANCAIS

ESPAÑOL

POLSKI

ITALIANO

INSTALACIÓN, CONEXIÓN Y OPERACIÓN:

TRANSPORTE E INSTALACIÓN

El sistema activo LD MAUI 28 es muy compacto y puede transportarse fácilmente. Durante el funcionamiento, el subwoofer deberá apoyarse sobre las patas de goma. ¡NUNCA utilice el sistema sobre una plataforma de transporte! El equipo podría desplazarse sin control, con riesgo de vuelco, lo que podría provocar accidentes y daños. El disipador de calor del amplificador se encuentra en la parte posterior del subwoofer. Mientras el amplificador está operativo, mantenga este disipador a una distancia mínima de 50 cm de otros objetos, paredes, etc. para mantener una ventilación suficiente.

Verifique el cableado de alimentación eléctrica, así como el de los equipos conectados, como mezcladores y reproductores de CD. Utilice sólo cable sin defectos y de sección adecuada; además, los rollos de cable deberán estar totalmente desenrollados. Para evitar riesgos de caídas, fije el cable con cinta americana. No instale el equipo cerca de un desnivel, como el borde del escenario. No coloque el subwoofer sobre una mesa. Para evitar los típicos chasquidos iniciales al conectar los equipos que suministran la señal, se recomienda encender el sistema el último y apagarlo el primero.

CONEXIÓN Y OPERACIÓN

Puede ajustar el nivel general del sistema, y también ajustar por separado el nivel del subwoofer. El ajuste final del nivel se realiza en el equipo que suministra la señal. Dicho equipo puede conectarse tanto en modo balanceado como no balanceado (XLR/jack de 6,3 mm).

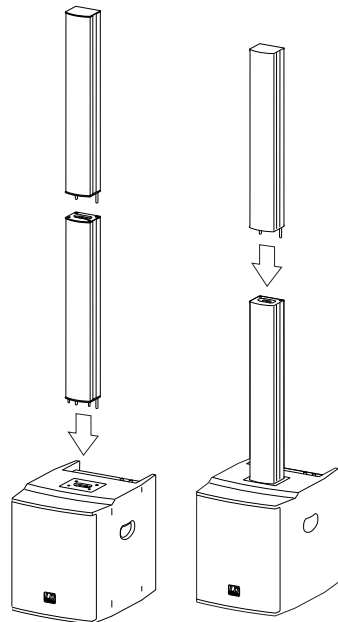
En la siguiente página se muestran las conexiones y los controles del LD MAUI 28.

MONTAJE

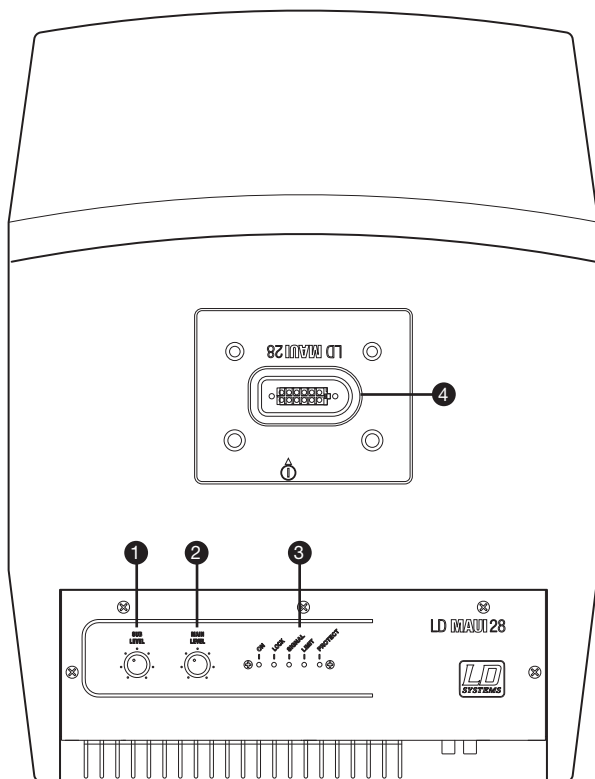
El sistema LD MAUI 28 All-in-one array consta de tres componentes:

1. Subwoofer con la electrónica integrada para los tres componentes del sistema.
2. Array vertical inferior de columna de 8 x 3" y dos conectores multipin, una en la parte superior y otra en la inferior.
3. Array vertical superior de columna de 8 x 3", un motor de agudos y un conector multipin en la parte inferior.

Después de instalar el subwoofer en su posición, conecte el array vertical inferior al subwoofer. 4 tornillos de acero resistentes fijan perfectamente ambos equipos y aseguran el buen contacto del conector multipin. A continuación, conecte el array vertical superior al array inferior. Después de encender el sistema MAUI 28, la correcta conexión de todos los componentes se indica mediante el indicador LED LOCK.



CONTROLES:



ENGLISH

DEUTSCH

FRANCAIS

ESPAÑOL

POLSKI

ITALIANO

1 SUB LEVEL

Permite ajustar el nivel del subwoofer en relación con el nivel de los array de columna. La posición de las "12 en punto" indica el mismo nivel.

2 MAIN LEVEL

Permite ajustar el nivel general del sistema; el nivel del subwoofer se ajusta en función del control SUB LEVEL.

3 INDICADORES LED

ON: se ilumina cuando el equipo está encendido.

LOCK: se ilumina cuando el sistema está correctamente instalado.

SIGNAL: se ilumina cuando hay señal a la entrada.

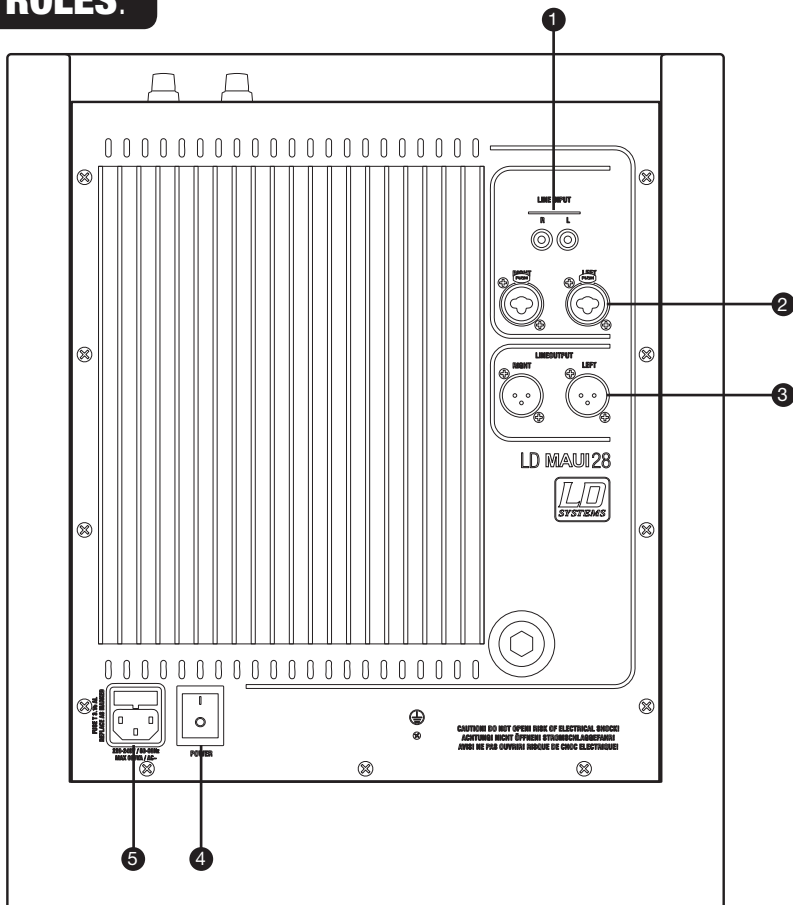
LIMIT: se ilumina cuando se activa el limitador.

PROTECT: se ilumina cuando el equipo se silencia automáticamente debido a una sobrecarga.

4 CONECTOR MULTIPIN

Sirve para conectar el array inferior de columna.

CONTROLES:



1 ENTRADA RCA (L/R)

2 ENTRADA COMBO XLR/JACK (LEFT/RIGHT)

Entrada de línea balanceada.

3 SALIDA XLR (LEFT/RIGHT)

Salida de línea balanceada.

4 INTERRUPTOR DE ENCENDIDO

Interruptor de encendido/apagado. Antes de apagar el sistema, encienda los dispositivos conectados (mezcladores, etc.) y apáguelos después de apagar el sistema.

5 TOMA DE ALIMENTACIÓN ELÉCTRICA

Toma de conexión eléctrica de 240 V (conector IEC) y portafusible. Si necesita sustituir el fusible, asegúrese de que el cable de alimentación está desenchufado. Si el fusible se funde de forma continua, haga revisar el equipo por un técnico.

ACCESORIOS OPCIONALES:



LDM28CB

Plataforma de Transporte para el sistema MAUI 28



LDM28SATBAG

Funda de Transporte para el Altavoz de Columna MAUI 28



LDM28SUBPC

Funda de Transporte para el Subwoofer MAUI 28

ENGLISH

DEUTSCH

FRANCAIS

ESPAÑOL

POLSKI

ITALIANO



ESPECIFICACIONES:

Model Name:	LDMAUI28
Type: Subwoofer:	V - Construction Bass Reflex
Type: Vertical Array:	Sealed
Subwoofer:	2 x 8"
Vertical Array System (2pcs):	Fullrange: 16 x 3" /
HF:	1" Horn Tweeter
Amplification:	Class A / B
Dispersion:	Horizontal 120° in average
Power Output (W/RMS):	Subwoofer: 200
Array System (W/RMS):	200
Frequency Response (Hz):	45 - 20000
Sensitivity (1 W / 1 m) (dB):	98
Max SPL (dB):	115
Protection:	Dual Limiter
Controls:	Volume, Sub Level, ON/OFF Switch
Indicators:	On, Lock, Signal, Limit, Protect
Subwoofer Connectors:	Input: RCA / XLR / 6.3 mm jack (combo) / Direct line through: XLR
Satellite Connectors:	Custom Made Multi Pin Connector
Cabinet Material:	Subwoofer: 15 mm Plywood
Satellites:	Aluminium
Cabinet Surface:	Subwoofer: Dura-Coat LX / Satellites: HD Coating
Dimensions W x H x D (mm):	Subwoofer: 390 x 450 x 510/ Satellite: 110 x 790 x 90
Weight (kg):	Subwoofer: 29,0 / Satellite: 3,6
Features:	Assisted Vertical Array set up with LED control for correct connection, Easy connection with Multipin plug (no cables), Stable connection via four steel extensions

Dado que trabajamos constantemente en mejorar nuestros productos, las especificaciones técnicas pueden variar sin previo aviso.

ENGLISH

DEUTSCH

FRANCAIS

ESPAÑOL

POLSKI

ITALIANO

DECLARACIÓN DEL FABRICANTE:

GARANTÍA LIMITADA

Esta garantía limitada se aplica a los productos de la marca Adam Hall, LD Systems, Defender, Palmer y Eminence.

No afecta a los derechos de garantía legal que asume el vendedor. De hecho, le concede al usuario derechos adicionales ante Adam Hall, independientes de la garantía legal.

Adam Hall garantiza que el producto que ha adquirido de Adam Hall o de cualquier distribuidor autorizado de Adam Hall estará exento de defectos de material y mano de obra, en condiciones normales de uso, durante un período de 2 o 5 años a partir de la fecha de compra.

La garantía limitada entra en vigor el día de la fecha de compra. Para tener derecho a esta garantía será necesario presentar un justificante de compra válido en el que figure la fecha de compra del producto, por ejemplo, la factura o el albarán de entrega. Si el producto que ha adquirido necesitara una reparación durante la vigencia de la garantía limitada, tendrá derecho a obtener los servicios de garantía conforme a los términos y condiciones establecidos en este documento.

Esta garantía limitada se aplica únicamente al comprador original de este producto de Adam Hall y no se puede transferir a terceras personas a las que el comprador haya cedido la propiedad del producto. Durante el periodo de garantía limitada, Adam Hall se compromete a reparar o sustituir las piezas defectuosas del producto. Todas las piezas o componentes retirados durante la reparación pasarán a ser propiedad de Adam Hall.

En el caso poco probable de que se produzca un fallo recurrente en el producto adquirido, Adam Hall, a su entera discreción, podrá optar por sustituir dicho producto por otro de similares características.

Adam Hall no garantiza el funcionamiento ininterrumpido y sin fallos de este producto. Adam Hall no se hace responsable de los posibles daños ocasionados por no seguir las instrucciones de uso suministradas con el producto Adam Hall.

Esta garantía limitada no se aplica:

- en caso de desgaste normal de los consumibles (baterías, etc.)
- a los productos cuyo número de serie ha sido borrado, o que han quedado dañados y defectuosos debido a un accidente
- en caso de defectos ocasionados por una incorrecta utilización o manipulación, o cualquier otra causa ajena
- en caso de utilización del producto no conforme con los parámetros establecidos en la documentación facilitada con el producto
- en caso de utilización de piezas de repuesto no fabricadas o vendidas por Adam Hall
- si el producto ha sido modificado o reparado por personal no autorizado por Adam Hall

Estos términos y condiciones constituyen el acuerdo de garantía íntegro y exclusivo entre usted y Adam Hall en relación con el producto Adam Hall que acaba de adquirir.

ENGLISH

DEUTSCH

FRANCAIS

ESPAÑOL

POLSKI

ITALIANO

DECLARACIÓN DEL FABRICANTE:

LIMITACIÓN DE RESPONSABILIDAD

Si su producto Adam Hall no funciona de acuerdo con las garantías mencionadas arriba, tendrá derecho exclusivamente a la reparación o sustitución del mismo. La responsabilidad máxima de Adam Hall en virtud de los términos de esta garantía está limitada al menor importe que resulte del precio de compra del producto, del coste de la reparación o la sustitución de las piezas que han dejado de funcionar en condiciones normales de uso.

Adam Hall no será responsable de cualquier daño causado por el producto o por el mal funcionamiento del producto, incluidas la pérdida de ganancias, la pérdida de ahorros o cualquier consecuencia derivada de dichas pérdidas. Adam Hall no se hará responsable de ninguna reclamación presentada por un tercero o por el comprador inicial en nombre de un tercero.

Esta limitación de responsabilidad se aplicará con independencia de que se solicite una indemnización por daños y perjuicios, o se presenten reclamaciones por negligencia, contractuales o de cualquier otra índole, y no podrá ser derogada o modificada. Esta limitación de responsabilidad será efectiva incluso en el caso de que el comprador hubiese avisado previamente a Adam Hall o a alguno de sus representantes de la posibilidad de reclamar daños y perjuicios. No obstante, esta limitación de responsabilidad no tendrá efecto en caso de reclamación por daños personales.

Esta garantía limitada le otorga derechos legales específicos. Puede que posea derechos adicionales conforme a la legislación del país o Estado en el que se encuentre. Le recomendamos que consulte la legislación vigente en su país o Estado para conocer el alcance de sus derechos.

APLICACIÓN DE LA GARANTÍA

Para solicitar asistencia técnica en relación con el producto en garantía, póngase en contacto con Adam Hall o con el distribuidor autorizado donde adquirió el producto.

DECLARACIÓN CE DE CONFORMIDAD

Estos productos cumplen los requisitos esenciales de las directivas europeas 1999/5/CE y 89/336/CE, así como las correspondientes cláusulas adicionales.

ELIMINACIÓN CORRECTA DE ESTE PRODUCTO (DESECHOS ELÉCTRICOS)

(Aplicable en la Unión Europea y en los países europeos que dispongan de un sistema de recogida selectiva)



El símbolo que aparece sobre el producto o en la documentación adjunta indica que, al final de su vida útil, no deberá desecharse con los demás residuos domésticos. Para evitar posibles efectos negativos en el medio ambiente y en la salud humana debidos al vertido incontrolado de desechos, no mezcle este producto con los demás residuos. La recogida selectiva ayuda a su posterior reciclaje y fomenta la reutilización sostenible de los componentes de este equipo.

Si usted es un particular, deberá ponerse en contacto con el distribuidor donde adquirió este producto, o con el ayuntamiento, para informarse sobre el reciclaje adecuado de este equipo.

Si usted es una empresa, deberá ponerse en contacto con su proveedor e informarse sobre los términos y condiciones de su contrato de compra-venta. Este producto no debe mezclarse con otros residuos industriales.

DECLARACIÓN DEL FABRICANTE:

DECLARACIÓN SOBRE WEEE

Este producto LD-Systems se ha desarrollado y fabricado con materiales y componentes de alta calidad que se pueden reciclar o reutilizar. Este símbolo indica que los equipos eléctricos y electrónicos deben separarse del resto de residuos comunes al final de su vida útil.

Para desechar este producto, llévelo al punto de recogida municipal o al centro de reciclaje específico para este tipo de equipos. De este modo, contribuirá a proteger el medioambiente.

PILAS Y ACUMULADORES

Las pilas suministradas o las pilas recargables se pueden reciclar. Para desecharlas, deposítelas en un contenedor especial o entréguelas a su proveedor especializado. Para proteger el medioambiente, deseche sólo pilas gastadas.

ENGLISH

DEUTSCH

FRANCAIS

ESPAÑOL

POLSKI

ITALIANO

Adam Hall GmbH. Todos los derechos reservados. Los datos técnicos y las características funcionales del producto están sujetos a modificaciones. Se prohíbe la fotocopia, traducción y cualquier otra forma de reproducción parcial o total de este manual de usuario.



ENGLISH

DEUTSCH

FRANÇAIS

ESPAÑOL

POLSKI

ITALIANO

Dziękujemy za wybór LD Systems!

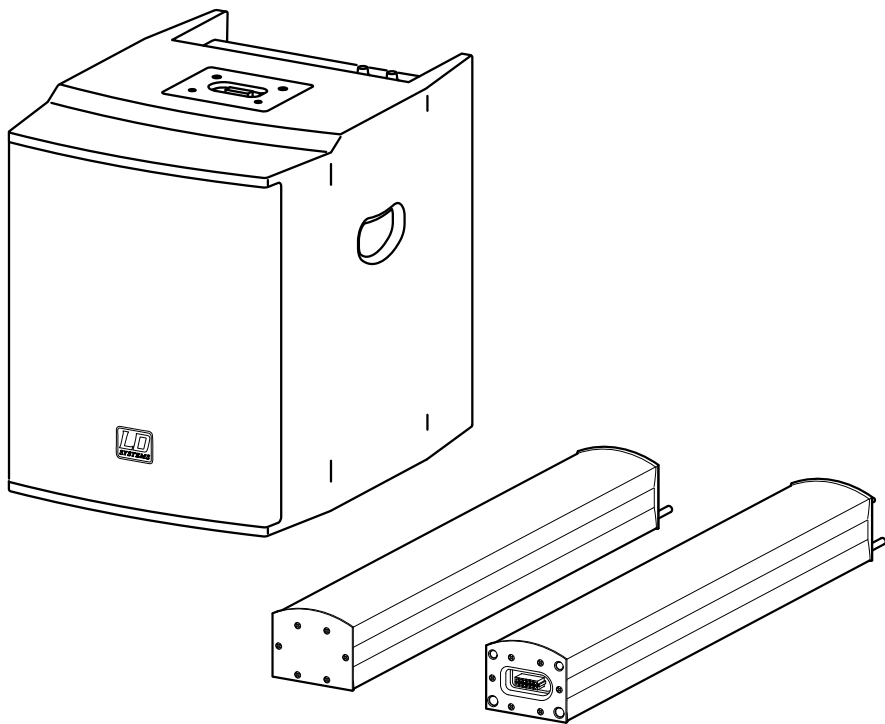
Zaprojektowaliśmy ten produkt tak, aby działał sprawnie przez wiele lat. LD-Systems gwarantuje wysoką jakość produktów swoją marką i wieloma latami doświadczenia jako producent.

Prosimy abyś zapoznał się dokładnie z niniejszą instrukcją, ponieważ chcemy abyś szybko mógł cieszyć się w pełni swoim nowym produktem LD Systems.

Więcej informacji na temat LD Systems znajdziesz na naszej stronie internetowej: WWW.LD-SYSTEMS.COM

LD MAUI 28

KOMPAKTOWY AKTYWNY **SYSTEM KOLUMN**
NAGŁOŚNIEWSKICH



ŚRODKI BEZPIECZEŃSTWA:

1. Przeczytaj uważnie dołączone informacje na temat bezpieczeństwa i następujące po nich wskazówki.
2. Zachowaj pełną dokumentację produktu.
3. Używaj urządzenia zgodnie z jego przeznaczeniem.
4. Przestrzegaj przepisów dotyczących zarządzania odpadami. Posegreguj elementy opakowania na części z tworzywa sztucznego i tektury przed ich przekazaniem do utylizacji.
5. Przekaż urządzenie wykwalifikowanym pracownikom serwisu, jeżeli zostało uszkodzone, narażone na kontakt z deszczem lub płynami, lub gdy nie działa prawidłowo.
6. Nie przechowuj urządzenia w pobliżu źródeł ciepła takich jak piece, kaloryfery i inne urządzenia (w tym wzmacniacze). Zawsze dbaj o zachowanie odległości między urządzeniem, a wzmacniaczami, ścianami, skrzyniami itd. aby zapobiec przegrzaniu.
7. Po podłączeniu upewnij się, że wszystkie połączenia są wykonane prawidłowo, aby uniknąć jakiegokolwiek rodzaju wypadku lub szkody.
Nigdy nie używaj wadliwego okablowania.
8. Używaj wyłącznie zatwierdzonych i stabilnych statywów, zaczepów, półek, stołów itp. przy instalacji. Po montażu sprawdź stabilność konstrukcji.
9. Występowanie zakłóceń w systemach bezprzewodowych
Równoczesne używanie kilku mikrofonów bezprzewodowych (jeżeli są niezbyt oddalone od siebie) może prowadzić do pojawienia się zakłóceń w sygnale mikrofonowym, które mogą być słyszalne w zestawie PA.

UWAGA:



Aby zmniejszyć zagrożenie porażeniem elektrycznym, nie zdejmuj pokrywy (lub tylnej części obudowy). Brak elementów serwisowalnych przez użytkownika wewnątrz. Przekaż obsługę serwisową wykwalifikowanym fachowcom.



Symbol błyskawicy wewnątrz trójkąta równobocznego ostrzega użytkownika o niez izolowanych częściach pod niebezpiecznym napięciem wewnątrz obudowy produktu, które w znaczący sposób zwiększają zagrożenie dla zdrowia i życia osób.



Znak wykrzyknika wewnątrz trójkąta równobocznego zwraca uwagę użytkownika na ważne wskazówki odnośnie obsługi lub konserwacji (serwisu) umieszczone w instrukcjach i opisach dostarczonych wraz z produktem.

OSTRZEŻENIE! WYSOKI POZIOM GŁOŚNOŚCI!

Opisywany system transmisyjny jest przeznaczony do zastosowań profesjonalnych. Dlatego też komercyjne użytkowanie tego sprzętu podlega zasadom i przepisom bezpieczeństwa właściwym dla danego sektora działalności, w tym regulacjom określonym przez towarzystwa ubezpieczeniowe. Firma Adam Hall, jako wytwórca, jest zobowiązany do formalnego poinformowania o istnieniu potencjalnych zagrożeń zdrowia.

System może być źródłem fali dźwiękowej o ciśnieniu akustycznym rzędu 80 dB. Zgodnie z obowiązującymi przepisami, ucho ludzkie może być narażone w czasie dnia roboczego na działanie dźwięków o poziomie 85 dB. Poziom ten, na podstawie ekspertyz technicznych specjalistów od medycyny pracy, został przyjęty jako podstawa klasyfikacji hałasu. Wyższy poziom dźwięku lub dłuższy czas narażenia mogą spowodować uszkodzenie słuchu. Przy wyższych poziomach ciśnienia akustycznego czas narażenia powinien być skrócony, aby zapobiec uszkodzeniu słuchu. Poniżej opisano kilka objawów mogących wskazywać na to, że byłeś zbyt długo narażony na działanie dźwięków o zbyt wysokim poziomie ciśnienia akustycznego:

- Słyszysz dzwonienie lub gwizd w uszach,
- Odnosisz wrażenie, że nie słyszysz wysokich tonów.

FUNKCJE I PIERWSZE KROKI:

WSTĘP

System LD MAUI 28 (Multiple Array User Intuitive) jest doskonałym rozwiązaniem zarówno dla muzyków i didżejów, jak i do obsługi prezentacji i imprez, podczas których wymagana jest wysoka jakość odtwarzanej muzyki.

System wykonany w technice „plug and play” można niezwykle szybko i łatwo zestawić. System 4.1 z podziałem częstotliwości i 5 torami wzmacniającymi zapewnia dynamiczny, klarowny i równomierny obraz dźwiękowy w całym zakresie częstotliwości. Konfiguracja układu zapewnia większą szerokość promieniowania przy bardzo równomiernym rozdzielaniu dźwięku do wszystkich zakątków nagłaśnianej lokalizacji.

System MAUI 28, będący połączeniem systemu nagłośnieniowego i monitora, gwarantuje jednakowy odbiór dźwięku przez publiczność i muzyków. System jest pozbawiony uciążliwych kabli głośnikowych, statywów na kolumny, problemów z transportem; wystarczy podłączyć mikser i gotowe.

ENGLISH

DEUTSCH

FRANCAIS

ESPAÑOL

POLSKI

ITALIANO

USTAWIENIE, PODŁĄCZENIE I URUCHOMIENIE URZĄDZENIA:

TRANSPORT I USTAWIENIE

System aktywny LD MAUI 28 jest bardzo kompaktowy i można go łatwo przewozić. Subwoofer należy podczas pracy postawić na gumowych nóżkach. NIGDY nie wolno uruchamiać systemu stojącego na wózku transportowym! Istnieje niebezpieczeństwo niekontrolowanego przemieszczania się całego urządzenia. Może to prowadzić do wypadków i uszkodzeń. Z tyłu subwoofera znajduje się radiator wzmacniacza. Należy uważać, aby podczas pracy wzmacniacza radiator ten miał odstęp co najmniej 50 cm od innych przedmiotów, ścian itd., który jest niezbędny do odpowiedniej wymiany ciepła.

Należy zwrócić uwagę na właściwe okablowanie zarówno zasilania, jak i dołączonych urządzeń odtwarzających, miksera, odtwarzacza CD itd. Należy używać wyłącznie nieuszkodzonych kabli o wystarczającym przekroju i całkowicie rozwiniętych z bębna. Kable należy ułożyć w taki sposób, by nie powstało ryzyko potknięcia się (taśma Gaffa). Urządzenia nigdy nie należy stawiać tuż przy krawędzi. Również subwoofer nie wolno umieszczać na stole. Zaleca się zawsze włączać urządzenie jako ostatnie i wyłączać jako pierwsze, aby uniknąć głośnych trzasków związanych z włączaniem i wyłączaniem dołączonych urządzeń.

PODŁĄCZENIE I OBSŁUGA

Regulować można zarówno sumaryczny poziom głośności systemu, jak i poziom subwoofera względem poziomu sumarycznego. Ostateczne ustawienie poziomu odbywa się następnie za pomocą urządzenia będącego źródłem sygnału. Złącza umożliwiają zarówno asymetryczne, jak i symetryczne połączenie (XLR/jack 6,3 mm) z urządzeniem źródłowym.

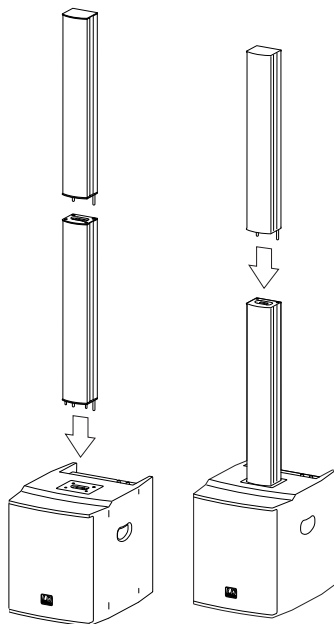
Rozmieszczenie złączy i elementów obsługowych urządzenia LD MAUI 28 przedstawiono na stronie następnej.

BUDOWA

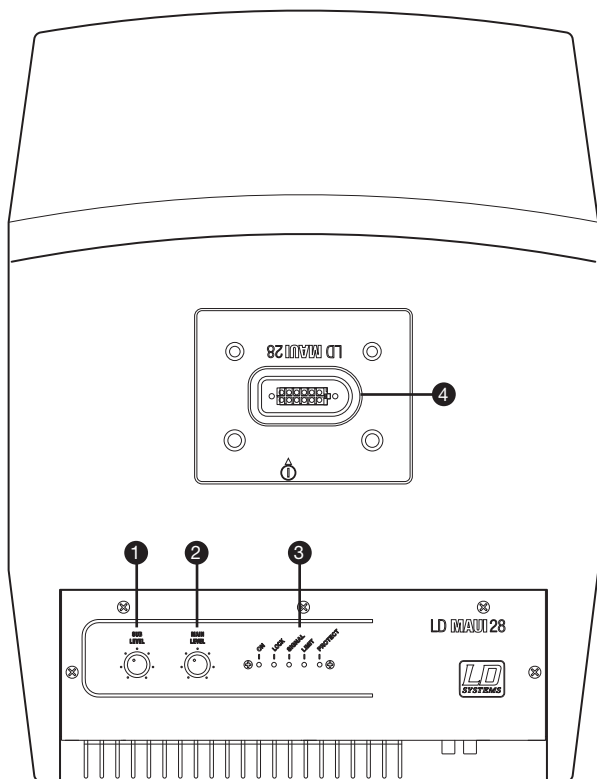
Uniwersalny system akustyczny LD Systems MAUI 28 składa się z 3 części:

1. subwoofera z wbudowanymi układami elektronicznymi dla wszystkich 3 części systemu;
2. dolnej kolumny pionowej z zestawem 8 głośników 3" i 2 złączami wielostykowymi, po jednym na dole i u góry;
3. górnej kolumny pionowej z zestawem 8 głośników 3", głośnikiem wysokotonowym i złączem wielostykowym na spodzie.

Po umieszczeniu subwoofera w nagłaśnianym pomieszczeniu nasadza się na niego dolną kolumnę pionową. 4 stabilne stalowe kołki pomagają w precyzyjnym umieszczeniu wtyków wielostykowych obu kolumn. Następnie należy nasadzić górną kolumnę pionową na dolną według tej samej zasady. Prawidłowe połączenie wszystkich składników jest sygnalizowane po włączeniu systemu MAUI 28 przez wskaźnik LED specjalnego kontrolnego układu elektronicznego.



ELEMENTY OBSŁUGOWE:



ENGLISH

DEUTSCH

FRANCAIS

ESPAÑOL

POLSKI

ITALIANO

1 SUB LEVEL

Ustawienie wstępne poziomu subwoofera względem poziomu zestawu kolumn. Ustawienie podstawowe w położeniu „godziny 12”.

2 MAIN LEVEL

Ustawienie wstępne głośności sumarycznej – regulacja głośności subwoofera odbywa się równocześnie, zgodnie z ustawieniem wstępnym regulatora SUB LEVEL.

3 DIODY LED

ON: świeci, gdy urządzenie jest włączone.

LOCK: świeci, gdy system jest prawidłowo połączony wtykami.

SIGNAL: świeci, gdy sygnał jest obecny na wejściu.

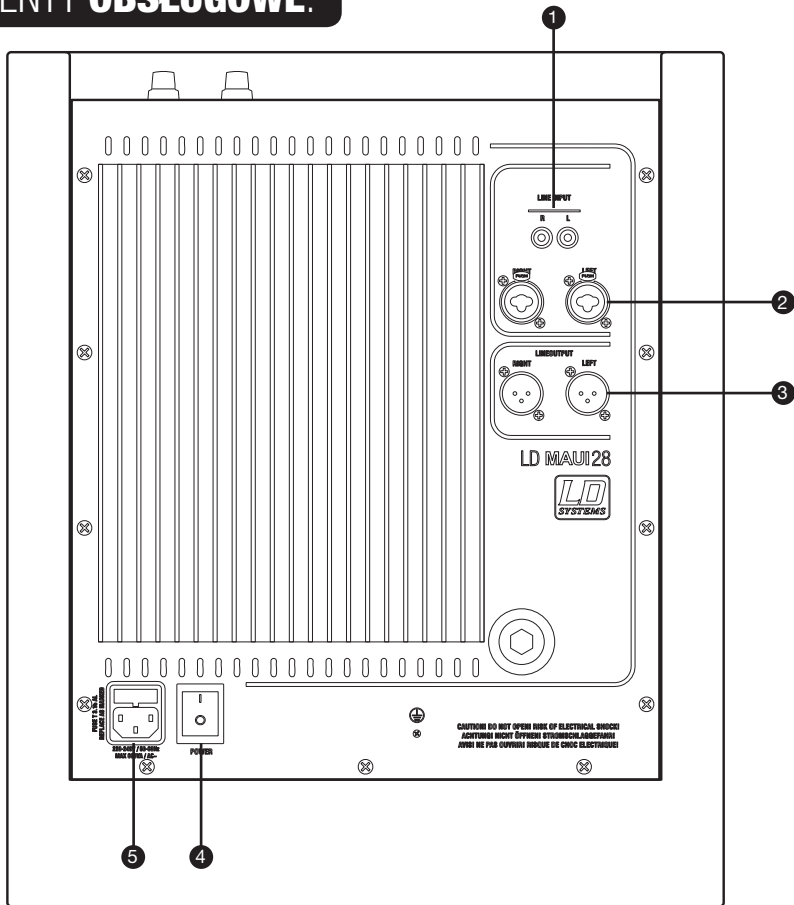
LIMIT: świeci, gdy limiter jest aktywny.

PROTECT: świeci, gdy system jest przeciążony i następuje automatyczne wyciszenie.

4 WIELOSTYKOWE ZŁĄCZE WTYKOWE

W tym miejscu podłączany jest wtyk dolnej części zespołu kolumn.

ELEMENTY OBSŁUGOWE:



1 WEJŚCIE RCA (KANAL LEWY/PRAWY)

2 WEJŚCIE XLR/MIKROFONOWE TYPU JACK (KANAL LEWY/PRAWY)

Symetryczne wejście liniowe

3 WYJŚCIE XLR (KANAL LEWY/PRAWY)

Symetryczne wyjście liniowe

4 PRZEŁĄCZNIK POWER

Włącznik/wyłącznik. Dołączone urządzenia, takie jak pulpity mikserskie itp., należy włączać przed

włączeniem systemu aktywnego i wyłączyć po jego wyłączeniu.

5 GNIAZDO ZASILANIA

Gniazdo przyłączeniowe 240 V (na wtyczkę stosowaną np. w urządzeniach, które podczas pracy nie wytwarzają znacznej ilości ciepła chłodniczych) i oprawka bezpiecznika. Bezpiecznik wolno wymieniać wyłącznie przy wyciągniętej wtyczce sieciowej. Jeśli bezpiecznik przepala się wielokrotnie, urządzenie wymaga sprawdzenia w serwisie specjalistycznym.

OPCJONALNE AKCESORIA:



LDM28CB

Platforma z rolkami na system MAUI 28



LDM28SATBAG

Torba transportowa na kolumny głośnikowe zestawu MAUI 28



LDM28SUBPC

Torba transportowa na subwoofer zestawu MAUI 28

ENGLISH

DEUTSCH

FRANCAIS

ESPAÑOL

POLSKI

ITALIANO

SPECYFIKACJE:

Model Name:	LDMAUI28
Type: Subwoofer:	V - Construction Bass Reflex
Type: Vertical Array:	Sealed
Subwoofer:	2 x 8"
Vertical Array System (2pcs):	Fullrange: 16 x 3" /
HF:	1" Horn Tweeter
Amplification:	Class A / B
Dispersion:	Horizontal 120° in average
Power Output (W/RMS):	Subwoofer: 200
Array System (W/RMS):	200
Frequency Response (Hz):	45 - 20000
Sensitivity (1 W / 1 m) (dB):	98
Max SPL (dB):	115
Protection:	Dual Limiter
Controls:	Volume, Sub Level, ON/OFF Switch
Indicators:	On, Lock, Signal, Limit, Protect
Subwoofer Connectors:	Input: RCA / XLR / 6.3 mm jack (combo) / Direct line through: XLR
Satellite Connectors:	Custom Made Multi Pin Connector
Cabinet Material:	Subwoofer: 15 mm Plywood
Satellites:	Aluminium
Cabinet Surface:	Subwoofer: Dura-Coat LX / Satellites: HD Coating
Dimensions W x H x D (mm):	Subwoofer: 390 x 450 x 510/ Satellite: 110 x 790 x 90
Weight (kg):	Subwoofer: 29,0 / Satellite: 3,6
Features:	Assisted Vertical Array set up with LED control for correct connection, Easy connection with Multipin plug (no cables), Stable connection via four steel extensions

Ponieważ wszystkie nasze produkty są nieustannie sprawdzane i ulepszone, istnieje możliwość zmiany specyfikacji bez uprzedzenia.

DEKLARACJA ZGODNOŚCI WE:

ENGLISH

DEUTSCH

FRANCAIS

ESPAÑOL

POLSKI

ITALIANO

OGRANICZONA GWARANCJA

Ta Ograniczona Gwarancja dotyczy produktów marek Adam Hall, LD Systems, Defender, Palmer oraz Eminence.

Niniejsza gwarancja nie wpływa na prawa gwarancyjne wynikające z przepisów lokalnych. Jest to dodatkowa, niezależna gwarancja ze strony firmy Adam Hall.

Adam Hall gwarantuje, że zakupiony produkt Adam Hall zakupiony od firmy Adam Hall lub autoryzowanego przedstawiciela Adam Hall, pozostanie wolny od wad w materiałach i wykonaniu, przy normalnym użytkowaniu przez okres 2 lub 3 lat od daty zakupu.

Okres gwarancyjny rozpoczyna się z dniem zakupu. Aby móc skorzystać z serwisu gwarancyjnego, kupujący zobowiązany jest do przedstawienia dowodu zakupu opatrzonego datą. Dokumenty takie jak paragon, faktura lub list przewozowy mogą być dowodem daty zakupu. Jeśli produkt wymienionych powyżej marek wymaga naprawy w czasie trwania okresu gwarancyjnego, nabywcy przysługują gwarancyjne usługi serwisowe zgodne z warunkami przedstawionymi w tym dokumencie.

Niniejsza gwarancja obejmuje wyłącznie oryginalnego nabywcę produktu marki Adam Hall i nie można jej przenieść na inną osobę, która przejmie własność produktu od oryginalnego nabywcy. Podczas okresu gwarancyjnego, Adam Hall zobowiązuje się do naprawy lub wymiany wadliwych komponentów produktu. Wszystkie części i elementy wymontowane z urządzenia podczas działań serwisowych stają się własnością Adam Hall.

W mało prawdopodobnym przypadku powtarzania się wady produktu Adam Hall, Adam Hall może zdecydować o dostarczeniu urządzenia zamiennego wybranego przez Adam Hall, które charakteryzuje się co najmniej takimi samymi parametrami jak reklamowany produkt.

Adam Hall nie gwarantuje, że eksploatacja produktu będzie przebiegać bezbłędnie lub nieprzerwanie.

Adam Hall nie ponosi odpowiedzialności za uszkodzenia wynikające z niezastosowania się użytkownika do instrukcji dołączonej do produktu Adam Hall.

Ta Ograniczona Gwarancja nie dotyczy,

- części podlegających normalnemu zużyciu (np. akumulator)
- produktów, których numer seryjny został usunięty, uszkodzony lub pozbawiony czytelności w wyniku wypadku
- przypadków nieprawidłowego użycia, celowego uszkodzenia lub powodów zewnętrznych
- przekroczenia dopuszczalnych parametrów pracy określonych w dokumentacji dostarczonej z produktem
- użycia części zamiennych nie pochodzących od Adam Hall
- przez modyfikację lub serwis nieprzeprowadzony przez Adam Hall

Te warunki określają kompletną i wyłączną umowę gwarancyjną między Nabywcą i firmą Adam Hall odnośnie zakupionego produktu markowego Adam Hall.

OGRANICZENIE ODPOWIEDZIALNOŚCI

Jeśli Twój produkt Adam Hall nie działa prawidłowo, wskazanym i wyłącznym rozwiązaniem jest naprawa lub wymiana. Maksymalna odpowiedzialność firmy Adam Hall w związku z niniejszą gwarancją ogranicza się maksymalnie do kwoty równej cenie zakupu produktu lub kosztom naprawy lub wymiany komponentów sprzętowych, które uległy uszkodzeniu lub nie działają prawidłowo podczas normalnego użytkowania. Adam Hall nie odpowiada za jakiegokolwiek szkody spowodowane przez produkt lub awarię produktu, włącznie z utratą zysków lub oszczędności, szczególnych, przypadkowych lub powiązanych szkód. Adam Hall nie ponosi odpowiedzialności za zobowiązania użytkownika wobec stron trzecich lub zobowiązania stron trzecich wobec użytkownika.

Ograniczenie odpowiedzialności ma zastosowanie w przypadku, gdy występują roszczenia odszkodowawcze lub składane są reklamacje na podstawie niniejszej gwarancji lub jako roszczenie z tytułu czynu niedozwolonego (włączając w to zaniedbanie oraz ścisłą odpowiedzialność za produkt), roszczenie z umowy lub jakiegokolwiek inne roszczenie. Żadna osoba nie może uchylić lub zmienić tych ograniczeń odpowiedzialności. Niniejsze ograniczenie odpowiedzialności pozostaje w mocy nawet jeśli nabywca poinformował firmę Adam Hall lub jej autoryzowanego przedstawiciela o możliwości wystąpienia takich szkód. Te ograniczenia odpowiedzialności nie dotyczą roszczeń wynikających z wystąpienia obrażeń u osób.

Niniejsza Gwarancja daje Ci pewne specyficzne prawa. Mogą przysługiwać Ci również inne prawa, które różnią się między sobą zależnie od państwa nadania. Radzimy zapoznanie się z prawem właściwym krajowi zamieszkania, w celu uzyskania kompletnej wiedzy na temat przysługujących praw.

ŻĄDANIE OBSŁUGI GWARANCYJNEJ

Aby uzyskać obsługę gwarancyjną swojego produktu, skontaktuj się z firmą Adam Hall lub jej autoryzowanym przedstawicielem od którego kupiłeś produkt.

DEKLARACJA ZGODNOŚCI

Ten produkt spełnia podstawowe wymagania oraz pozostałe standardy dyrektyw UE 199/5/EU, 89/336/EU.

PROWIDŁOWE SKŁADOWANIE TEGO PRODUKTU (ODPADY ELEKTRONICZNEI)



(Informacje mają zastosowanie w krajach członkowskich UE i innych krajach europejskich, w których obowiązuje segregacja odpadów)

Ten znak na produkcie lub dołączonej dokumentacji oznacza, że nie należy go wyrzucać wraz z domowymi odpadkami po wycofaniu z użycia. Aby zapobiec możliwym szkodom dla środowiska i ludzkiego zdrowia spowodowanym niekontrolowanym składowaniem odpadów, prosimy o oddzielenie tego produktu od innych odpadów i odpowiedzialne poddanie go recyklingowi w celu promowania ciągłego odzyskiwania zasobów materiałowych.

Użytkownicy domowi powinni skontaktować się ze sprzedawcą lub lokalnym urzędem, aby uzyskać informacje na temat przyjaznej środowisku zbiórki odpadów elektronicznych.

Użytkownicy biznesowi powinni skontaktować się ze swoim dostawcą i sprawdzić warunki kontraktu nabycia. Tego produktu nie należy mieszać z innymi odpadami komercyjnymi przy składowaniu.

DEKLARACJA-WEEE



Twój produkt LD Systems został zaprojektowany i wykonany z wysokiej jakości materiałów i komponentów, które można poddać recyklingowi i/lub użyć ponownie. Ten symbol oznacza, że sprzęt elektryczny i elektroniczny należy składować osobno od normalnych odpadów po zakończeniu użytkowania.

Prosimy, przekaż ten produkt do lokalnego punktu zbiórki lub centrum recyklingowego przeznaczonego dla tego typu sprzętu. W ten sposób przyczynisz się do ochrony środowiska, w którym żyjemy.

BATERIE I AKUMULATORY



Dołączone baterie lub akumulatory można poddać recyklingowi. Prosimy, składuj je jako specjalne odpady lub zwróć do punktu nabycia. W celu ochrony środowiska wyrzucaj wyłącznie zużyte baterie.

Adam Hall GmbH, wszystkie prawa zastrzeżone. Dane techniczne i funkcjonalne produktu mogą podlegać modyfikacjom. Kopiowanie, tłumaczenie i pozostałe formy reprodukcji fragmentów lub całości tej instrukcji obsługi są zabronione.



ENGLISH

DEUTSCH

FRANCAIS

ESPAÑOL

POLSKI

ITALIANO

Acquistando un prodotto LD Systems avete fatto la scelta giusta!

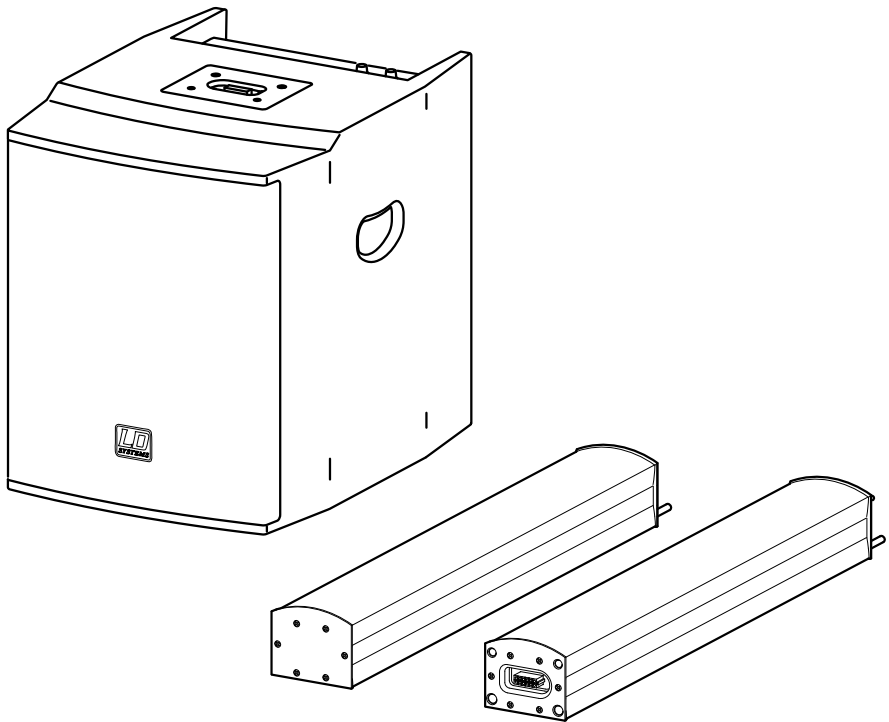
Quest'apparecchio è stato sviluppato e prodotto secondo elevati standard qualitativi che garantiscono un funzionamento regolare per molti anni. Per questo motivo LD Systems, con il suo nome e la pluriennale esperienza, rappresenta un'azienda produttrice di prodotti audio di qualità.

Leggete attentamente questo manuale d'uso per utilizzare al meglio il vostro nuovo amplificatore LD Systems.

Per ulteriori informazioni sui prodotti LD Systems consultate il nostro sito internet WWW.LD-SYSTEMS.COM

LD MAUI 28

COLONNE COMPATTE PER SISTEMA PA ATTIVO



ENGLISH

DEUTSCH

FRANCAIS

ESPAÑOL

POLSKI

ITALIANO

AVVERTENZE:

1. Attenersi alle avvertenze di sicurezza e leggere attentamente il presente manuale.
2. Conservare in un luogo sicuro tutte le avvertenze e le indicazioni.
3. Utilizzare l'apparecchio solo nei modi previsti dal manuale.
4. Rispettare le leggi in vigore nel paese di installazione sullo smaltimento. Separare la plastica dalla carta e dal cartone per lo smaltimento.
5. Se l'apparecchio non funziona più correttamente, è stato esposto a liquidi o è stato in qualche modo danneggiato, rivolgersi esclusivamente a personale autorizzato per le dovute riparazioni.
6. Tenere l'apparecchio lontano da fonti di calore come stufe, termosifoni o altro (anche amplificatori). Controllare che l'apparecchio sia sempre posizionato in modo tale che si possa raffreddare e che non si surriscaldi.
7. Controllare tutte le linee alle quali l'apparecchio è collegato per evitare danni o incidenti.
- 8 Utilizzare esclusivamente supporti stabili e adeguati per fissare l'apparecchio. Verificare che l'apparecchio sia installato in modo stabile e non possa cadere.

ATTENZIONE:



Non togliere mai il coperchio di protezione: pericolo di scosse elettriche. All'interno dell'apparecchio non ci sono parti che possono essere controllate o riparate dall'utente. Per la riparazione rivolgersi esclusivamente a personale qualificato.



Questo simbolo avverte del pericolo dovuto alla presenza di una tensione pericolosa non isolata all'interno dell'apparecchio che può causare scosse pericolose.



Questo simbolo indica avvertenze e istruzioni d'uso importanti.

Attenzione! Volume alto!

Questi sistemi di trasmissione vengono utilizzati dall'utente per scopi professionali. Pertanto l'uso per scopi commerciali è soggetto alle norme e ai regolamenti delle associazioni di categoria competenti. Adam Hall, in qualità di produttore, è perciò obbligato a segnalare espressamente la presenza di possibili rischi per la salute.

Questi altoparlanti possono generare elevate pressioni sonore. 85db è la pressione sonora massima che per legge può essere esercitata sull'udito umano in una giornata lavorativa. Questo valore è stato stabilito in base a quanto rilevato nel campo della medicina del lavoro. Suoni di maggiore intensità o più prolungati possono provocare danni all'apparato uditivo. Nel caso di volumi più elevati sarà necessario diminuire il tempo di esposizione per evitare eventuali danni all'udito. Alcuni campanelli di allarme che indicano una prolungata esposizione a suoni troppo forti sono:

- La presenza di suoni o fischi all'interno dell'orecchio!
- La sensazione di non sentire più i suoni ad alta frequenza!

FUNZIONI E GUIDA INTRODUTTIVA:

INTRODUZIONE

LD MAUI 28 (Multiple Array User Intuitive) è la soluzione ideale per musicisti e dj ma anche per presentazioni e manifestazioni che necessitano di colonne sonore di alto livello.

Il sistema di connessione plug and play permette un'installazione semplice e veloce. Il sistema 4.1 basato sulla ripartizione della frequenza a 5 vie di amplificazione garantisce un spettro acustico dinamico, chiaro e armonioso su tutta la gamma di frequenza. La disposizione degli array permette di ampliare il raggio di diffusione con una distribuzione uniforme del suono in ogni angolo.

Il sistema MAUI 28 è sia un sistema PA che un monitor e garantisce la stessa esperienza acustica sia per il pubblico che per i musicisti. Niente cavi altoparlanti fastidiosi, niente treppiedi per le casse, nessun problema di trasporto. Basterà collegare il mixer e sarà tutto pronto.

ENGLISH

DEUTSCH

FRANCAIS

ESPAÑOL

POLSKI

ITALIANO

MONTAGGIO, COLLEGAMENTO E FUNZIONAMENTO:

TRASPORTO E MONTAGGIO

Il sistema attivo LD MAUI 28 è estremamente compatto e facile da trasportare. Posizionare il subwoofer sui piedini in gomma per permettere il funzionamento. Si consiglia di non lasciare MAI il sistema sul carrello di trasporto durante il funzionamento! Questo potrebbe causare uno spostamento incontrollato dell'intero dispositivo. Inoltre potrebbe provocare danni e incidenti. Il dispositivo di raffreddamento dell'amplificatore si trova nella parte posteriore del subwoofer. Durante in funzionamento, fare in modo che il dispositivo di raffreddamento dell'amplificatore sia posizionato ad almeno 50 cm di distanza da altri oggetti, pareti, ecc per permettere un adeguato ricambio di aria.

Si raccomanda di fare attenzione affinché i collegamenti via cavo alla presa di corrente e agli altri dispositivi di riproduzione, mixer, lettore CD, ecc, siano effettuati correttamente. Utilizzare esclusivamente cavi non danneggiati e con una sezione adeguata e soltanto bobine per cavi completamente srotolate. Disporre i cavi in modo da evitare il pericolo di inciampo (nastro Gaffa). Il dispositivo non deve mai essere posizionato direttamente sul bordo di un supporto. Si prega di non posizionare il subwoofer su un tavolo. Si consiglia di accendere il dispositivo sempre per ultimo e spegnerlo per primo per evitare rumori di accensione e spegnimento provocati dai dispositivi collegati.

COLLEGAMENTO E FUNZIONAMENTO

Il sistema permette di regolare sia il livello generale del sistema che il livello del subwoofer in relazione al livello generale. La regolazione definitiva del livello viene effettuata tramite il dispositivo di riproduzione. I collegamenti disponibili permettono sia un collegamento sbilanciato che un collegamento bilanciato (XLR / jack 6,3 mm) al dispositivo di riproduzione.

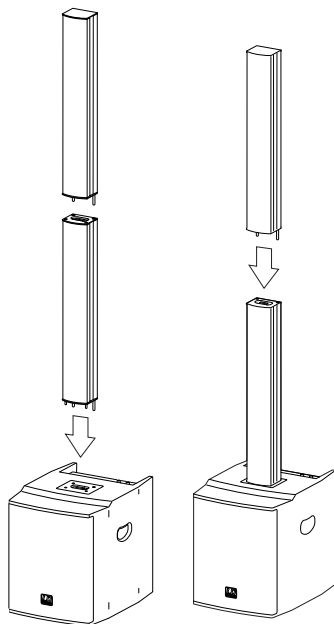
La disposizione dei collegamenti e degli elementi di comando del LD MAUI 28 è indicata nella pagina seguente.

MONTAGGIO

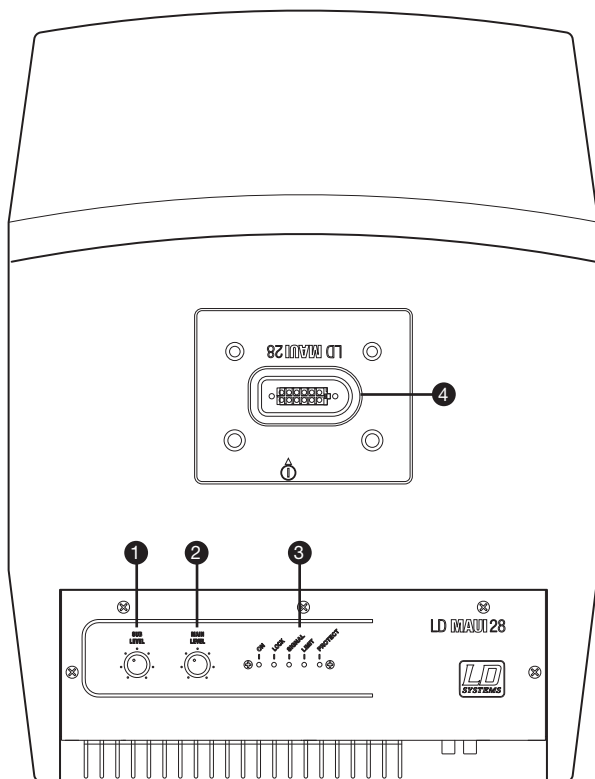
Il sistema LD Systems MAUI 28 All-in-one Array è composto dai 3 componenti seguenti:

1. Subwoofer con elettronica integrata per tutte le 3 parti del sistema.
2. Colonna array verticale inferiore con altoparlanti 8 x 3" e 2 collegamenti multipolari, uno sul lato superiore e uno su quello inferiore.
3. Colonna array verticale superiore con altoparlanti 8 x 3" con altoparlante per toni alti e un collegamento multipolare sul lato inferiore.

Dopo aver posizionato il subwoofer nel locale di utilizzo, posizionare la colonna array verticale inferiore sul subwoofer. 4 perni in acciaio stabili garantiscono che i connettori multipolari di entrambe le casse siano collegati perfettamente tra loro. A questo punto, la colonna array verticale superiore può essere posizionata sulla colonna inferiore nello stesso modo. Un'elettronica di controllo dedicata indicata attraverso un apposito led il corretto collegamento di tutte le parti del sistema al momento dell'accensione del sistema array MAUI 28.



DISPOSITIVI DI COMANDO:



ENGLISH

DEUTSCH

FRANCAIS

ESPAÑOL

POLSKI

ITALIANO

1 SUB LEVEL

Pre-regolazione del livello del subwoofer in base al livello delle colonne array. Regolazione base 12 ore.

2 MAIN LEVEL

Pre-regolazione del volume generale. Il subwoofer viene regolato in base alla pre-regolazione sul SUB LEVEL.

3 LED

ON: si accende quando il dispositivo è in funzione.
 LOCK: si accende quando il sistema è collegato correttamente.
 SIGNAL: si accende quando viene rilevato un segnale in entrata.
 LIMIT: si accende quando il limiter è attivo.
 PROTECT: si accende in caso di sovraccarico del sistema e arresta automaticamente il sistema.

4 CONNETTORE MULTIPOLARE

Permette il collegamento della parte inferiore della colonna array.

DISPOSITIVI DI COMANDO:

ENGLISH

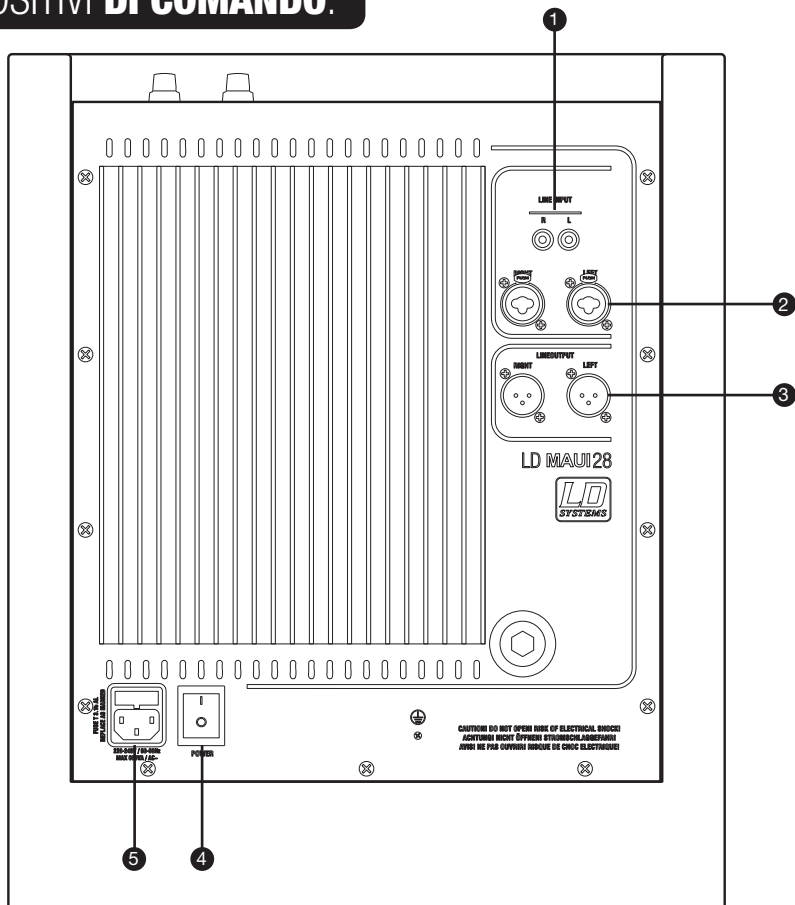
DEUTSCH

FRANCAIS

ESPAÑOL

POLSKI

ITALIANO



1 INGRESSO RCA (SINISTRA / DESTRA)

2 INGRESSO XLR / JACK CUFFIE COMBINATO (SINISTRA / DESTRA)

Ingresso di linea bilanciato

3 USCITA XLR (SINISTRA / DESTRA)

Uscita di linea bilanciata

4 INTERRUTTORE GENERALE

Interruttore ON/OFF. I dispositivi collegati, come ad esempio i mixer, devono essere accesi prima del sistema attivo e spenti dopo il sistema attivo.

5 COLLEGAMENTO ALLA RETE

Presa di collegamento a 240 V (connettore VDE) e portafusibile. Non sostituire mai il fusibile quando il cavo di alimentazione è collegato. Nel caso in cui il fusibile si bruci ripetutamente, far controllare il dispositivo da un tecnico.

ACCESSORI OPZIONALI:



LDM28CB

Pannello con ruote per il sistema MAUI 28



LDM28SATBAG

Borsa di trasporto per altoparlante a colonna MAUI 28



LDM28SUBPC

Borsa di trasporto per subwoofer MAUI 28

ENGLISH

DEUTSCH

FRANCAIS

ESPAÑOL

POLSKI

ITALIANO

SPECIFICHE:

Model Name:	LDMAUI28
Type: Subwoofer:	V - Construction Bass Reflex
Type: Vertical Array:	Sealed
Subwoofer:	2 x 8"
Vertical Array System (2pcs):	Fullrange: 16 x 3" /
HF:	1" Horn Tweeter
Amplification:	Class A / B
Dispersion:	Horizontal 120° in average
Power Output (W/RMS):	Subwoofer: 200
Array System (W/RMS):	200
Frequency Response (Hz):	45 - 20000
Sensitivity (1 W / 1 m) (dB):	98
Max SPL (dB):	115
Protection:	Dual Limiter
Controls:	Volume, Sub Level, ON/OFF Switch
Indicators:	On, Lock, Signal, Limit, Protect
Subwoofer Connectors:	Input: RCA / XLR / 6.3 mm jack (combo) / Direct line through: XLR
Satellite Connectors:	Custom Made Multi Pin Connector
Cabinet Material:	Subwoofer: 15 mm Plywood
Satellites:	Aluminium
Cabinet Surface:	Subwoofer: Dura-Coat LX / Satellites: HD Coating
Dimensions W x H x D (mm):	Subwoofer: 390 x 450 x 510/ Satellite: 110 x 790 x 90
Weight (kg):	Subwoofer: 29,0 / Satellite: 3,6
Features:	Assisted Vertical Array set up with LED control for correct connection, Easy connection with Multipin plug (no cables), Stable connection via four steel extensions

I nostri prodotti sono continuamente sottoposti a procedure di sviluppo e miglioramento.

DICHIARAZIONI DEL PRODUTTORE:

GARANZIA DEL PRODUTTORE

Le seguenti condizioni di garanzia si applicano ai prodotti dei marchi Adam Hall, LD Systems, LD Premium, Defender, Palmer e Eminence.

La presente dichiarazione di garanzia non influisce sui diritti di garanzia del produttore previsti dalla legge, ma estende ulteriormente tali diritti anche nei confronti della ditta Adam Hall.

Adam Hall garantisce per un periodo di due o cinque anni dalla data di acquisto che questo prodotto Adam Hall acquistato direttamente dall'azienda o attraverso un rivenditore autorizzato, se utilizzato correttamente, è privo di difetti di materiale e manodopera.

Il periodo di garanzia ha inizio dalla data di acquisto del prodotto che, nel caso in cui si voglia usufruire della garanzia, va adeguatamente documentata tramite la presentazione dello scontrino o della bolla di consegna con la data di acquisto. Qualora, entro il periodo di garanzia, i prodotti di una delle marche sovraindicate necessitino di interventi di riparazione, l'utente ha diritto ad usufruire del servizio alle condizioni indicate nel presente documento.

Questa garanzia del produttore è valida esclusivamente per il primo proprietario del prodotto Adam Hall e non si può trasferire ad un eventuale proprietario successivo. Entro il periodo di garanzia, Adam Hall si fa carico della riparazione o della sostituzione dei componenti o degli apparecchi difettosi. Tutti i componenti o i prodotti sostituiti usufruendo della garanzia del produttore diventano di proprietà di Adam Hall.

Nel caso improbabile che il prodotto acquistato presenti ripetuti malfunzionamenti, la ditta Adam Hall è autorizzata a sostituire a propria discrezione il prodotto difettoso con un altro, a patto che il nuovo prodotto sia di uguale valore rispetto a quello vecchio per quanto riguarda le caratteristiche hardware.

Adam Hall non garantisce che il prodotto sia perfettamente funzionante e/o senza difetti. Inoltre, Adam Hall non risponde di danni derivanti dall'inosservanza delle indicazioni riportate nelle istruzioni d'uso fornite con il presente prodotto e in altra documentazione.

La garanzia del produttore non copre:

- parti soggette ad usura (es. accumulatori),
- apparecchi dai quali è stato rimosso il numero di serie o il cui numero di serie risulta illeggibile a causa di danneggiamenti causati dall'utente,
- danni derivanti da uso errato o improprio o altre cause esterne,
- danni ad apparecchi che non sono stati utilizzati secondo i parametri di funzionamento (parametri indicati nella documentazione contenuta nella confezione),
- danni derivanti dall'utilizzo di componenti non prodotti o distribuiti da Adam Hall,
- danni derivanti da interventi, modifiche o riparazioni non effettuate da Adam Hall.

Le presenti condizioni costituiscono l'accordo di garanzia completo ed esclusivo tra l'acquirente e la Adam Hall per il prodotto Adam Hall acquistato.

LIMITAZIONI DI RESPONSABILITÀ

Nel caso in cui, durante il periodo di garanzia, i prodotti hardware Adam Hall presentino difetti di materiale o di lavorazione (in base alla dichiarazione di garanzia precedente), il solo ed unico diritto del cliente previsto dalla presente garanzia è quello di riparazione o sostituzione dell'apparecchio. La massima responsabilità di Adam Hall è limitata, come espressamente indicato nella garanzia, al prezzo d'acquisto o ai costi per la riparazione o la sostituzione (e in questo caso per l'importo minore) dei componenti hardware difettosi in caso di uso corretto degli stessi.

Adam Hall non è responsabile per eventuali danni provocati dal prodotto o dal malfunzionamento dello stesso, compresi mancati guadagni, perdite e danni speciali indiretti o conseguenti. Inoltre Adam Hall è indenne da richieste avanzate da terzi o dal cliente in nome di terzi.

La presente limitazione di responsabilità vale indipendentemente dal fatto che i danni siano oggetto di procedimenti giudiziari o che siano oggetto di risarcimento danni ai sensi della presente garanzia o per atti illeciti (incluse negligenza e responsabilità oggettiva) o per pretese contrattuali o di altra natura, e non può essere né annullata né modificata. La presente limitazione di responsabilità è valida anche nel caso in cui l'utente abbia avvisato Adam Hall o un rappresentante autorizzato di possibili danni. Tale limitazione non è però valida in caso di richieste per risarcimento danni in relazione a danni a persone.

La garanzia del produttore permette di godere di determinati diritti. A seconda della giurisdizione competente (dello stato o della regione in cui si risiede) è possibile ottenere ulteriori diritti. Si consiglia quindi di consultare le leggi applicabili per determinare l'insieme dei diritti di cui si può godere.

RICORSO ALLA GARANZIA

Per usufruire della garanzia rivolgersi direttamente a Adam Hall o al rivenditore autorizzato Adam Hall, dal quale è stato acquistato il prodotto.

DICHIARAZIONE DI CONFORMITÀ CE

Questi prodotti sono conformi ai requisiti fondamentali e alle relative disposizioni stabilite dalle direttive europee 199/5/EU e 89/336/EU.

CORRETTO SMALTIMENTO DEL PRODOTTO ("RIFIUTI ELETTRONICI")

(Valido nei paesi dell'Unione europea e in altri paesi con sistema di smaltimento differenziato dei rifiuti)



Questo simbolo sul prodotto o sui documenti relativi ad esso sta ad indicare che l'apparecchio alla fine del suo ciclo di vita non deve essere smaltito insieme ai normali rifiuti domestici, in modo tale da evitare eventuali danni ambientali e alle persone causati da uno smaltimento incontrollato dei rifiuti. Si prega di smaltire questo prodotto separatamente da altri rifiuti e promuovere così lo sviluppo di cicli economici sostenibili con il riciclaggio.

I privati cittadini possono ricevere informazioni sulle possibilità di smaltimento sostenibile presso il venditore dal quale è stato acquistato il prodotto o presso le autorità regionali competenti. I professionisti devono invece contattare il loro fornitore di fiducia e controllare le eventuali condizioni contrattuali per lo smaltimento degli apparecchi. Questo prodotto non deve essere smaltito assieme ad altri rifiuti industriali.

DICHIARAZIONE RAEE



Il prodotto LD Systems acquistato è stato realizzato tramite l'utilizzo di materiali e componenti di qualità che possono essere riciclati o riutilizzati. Questo simbolo indica che gli apparecchi elettronici non vanno smaltiti assieme ai normali rifiuti domestici indifferenziati. Si prega di smaltire questo apparecchio a norma di legge presso un punto di raccolta per rifiuti elettronici contribuendo così alla salvaguardia dell'ambiente.

BATTERIE E PILE



Le batterie incluse nella confezione possono essere riutilizzate. Non gettare quindi le batterie nei normali rifiuti domestici, ma in contenitori appositi per la loro raccolta. Aiutate a mantenere pulito l'ambiente.

Adam Hall GmbH, tutti i diritti riservati. I dati tecnici e le caratteristiche del prodotto possono essere soggetti a modifiche. È vietata la copia, la traduzione e qualsiasi altra riproduzione delle presenti istruzioni d'uso o di parte di esse senza previa autorizzazione.



WWW.LD-SYSTEMS.COM

Adam Hall GmbH | Daimlerstrasse 9 | 61267 Neu-Anspach | Germany
Tel. +49(0)6081/9419-0 | Fax +49(0)6081/9419-1000
web : www.adamhall.com | e-mail : mail@adamhall.com



Printed in CHINA